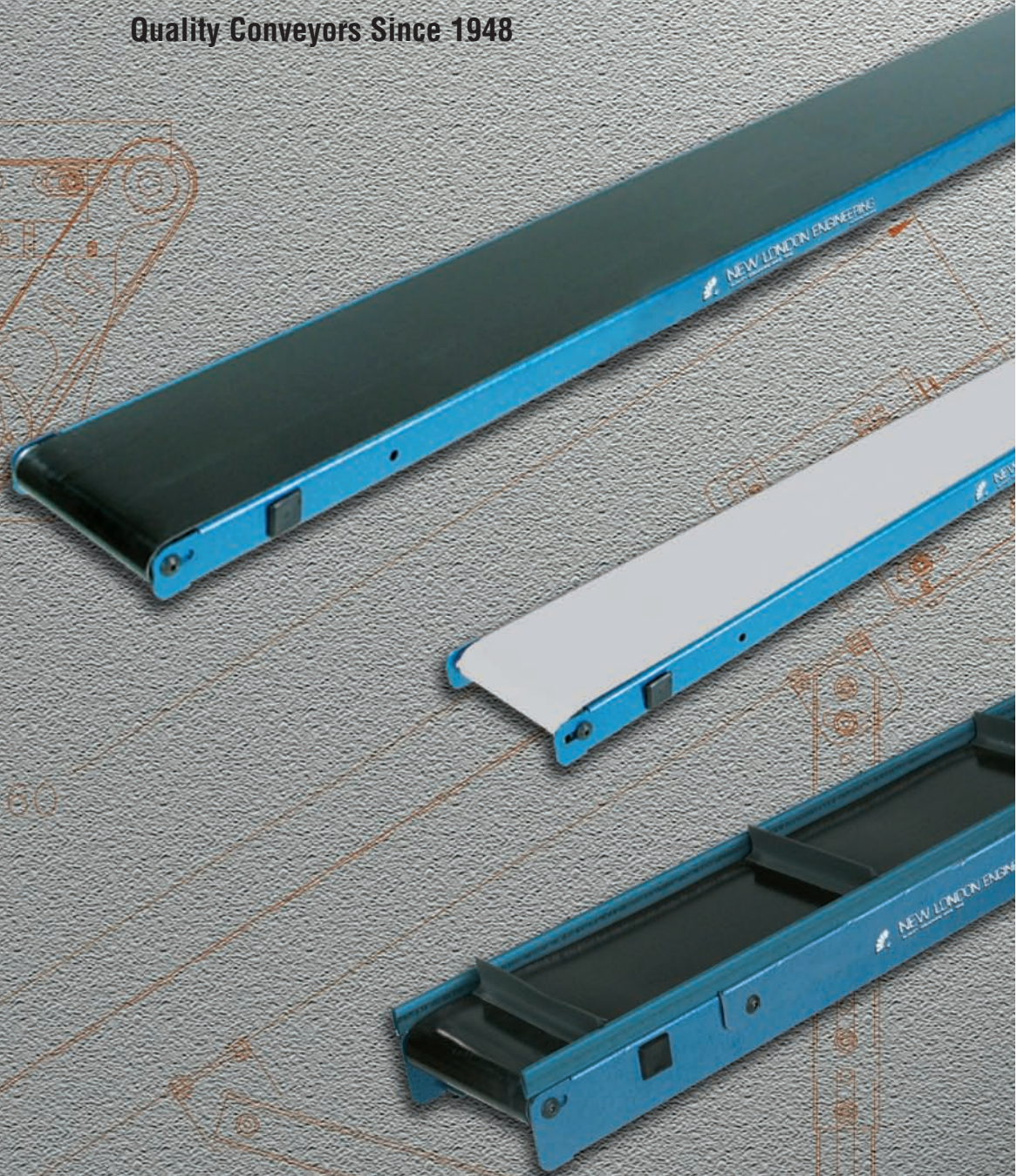




Quality Conveyors Since 1948



ToughTrak-Tough & Durable Low-Profile Conveyors

ToughTrak Index

Design and Construction FeaturesPage 2

ToughTrak Feature and Benefit SummaryPage 3

Model 150 Drive Packages and Specifications.....Pages 4-7

Endless Belt Quick Change Illustration.....Page 8

Load Capacity Chart.....Page 8

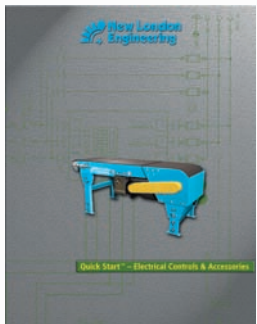
Standard Speed OptionsPage 8

Model 250 Drive Packages and Specifications.....Pages 9-11

Cleated BeltsPage 12

Stainless SteelPage 12

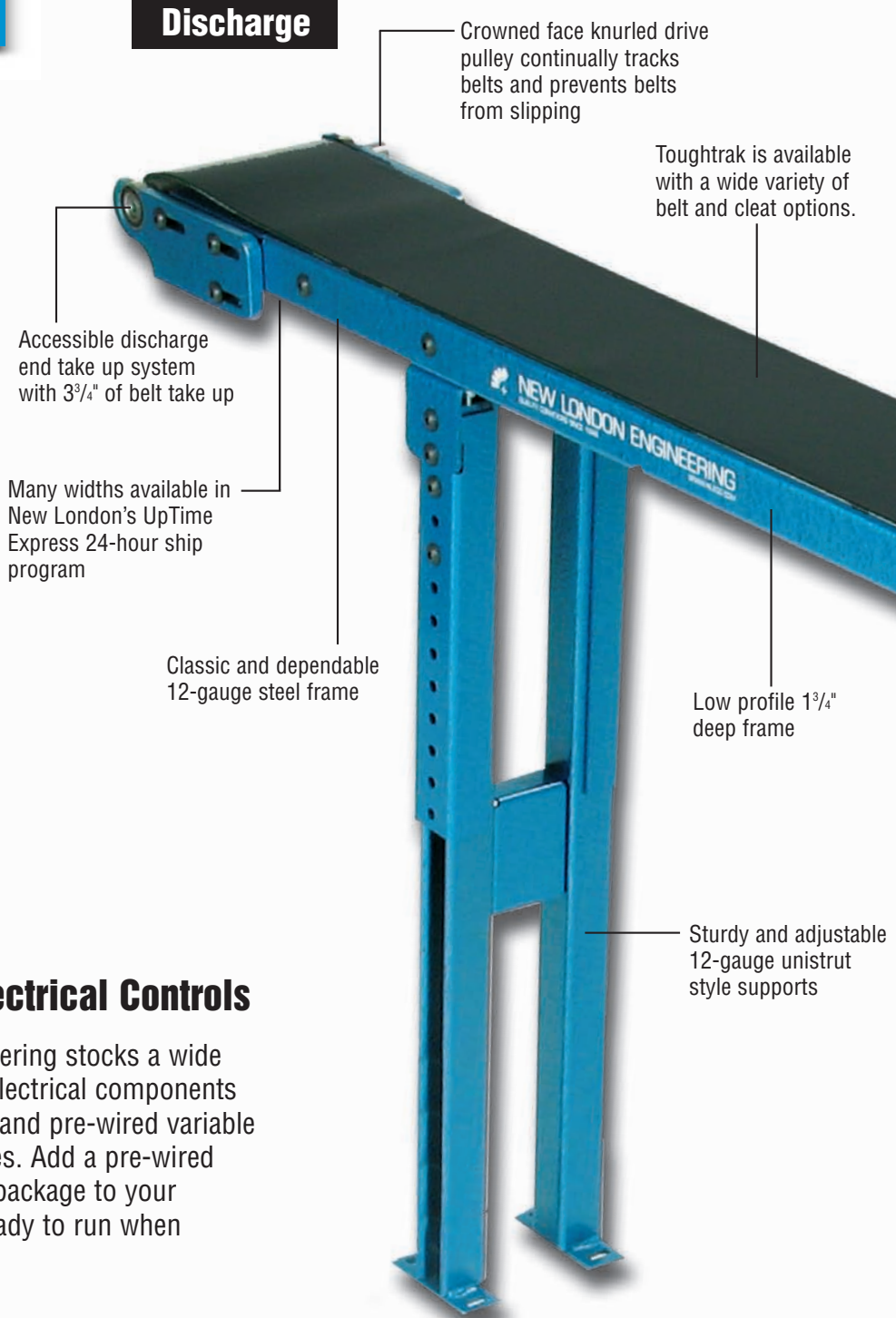
Siderail OptionsPage 12



Quick Start Electrical Controls

New London Engineering stocks a wide variety of starters, electrical components and pre-wired fixed and pre-wired variable speed drive packages. Add a pre-wired Quick Start control package to your conveyor and it's ready to run when it arrives.

Discharge



Crowned face knurled drive pulley continually tracks belts and prevents belts from slipping

Toughtrak is available with a wide variety of belt and cleat options.

Accessible discharge end take up system with 3³/₄" of belt take up

Many widths available in New London's UpTime Express 24-hour ship program

Classic and dependable 12-gauge steel frame

Low profile 1³/₄" deep frame

Sturdy and adjustable 12-gauge unistrut style supports

ToughTrak Common Features

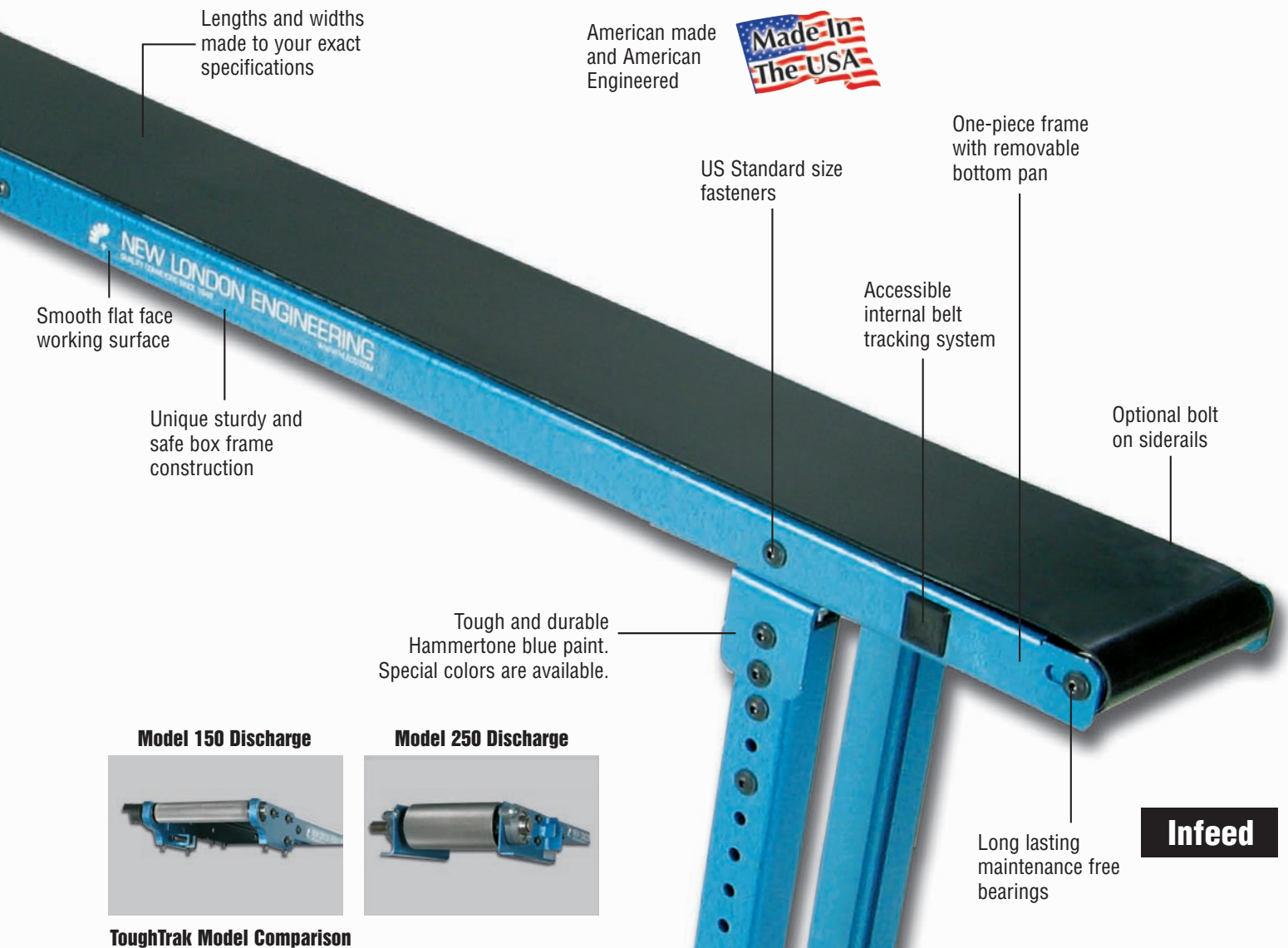
FRAME	INFEED PULLEY	DRIVE PULLEY FACE	STANDARD BELT	SUPPORTS
12 Gauge x 1 ³ / ₄ " deep (FW = BW + 31/32")	1 ⁵ / ₁₆ " Diameter Flat Face x 1/2" Bore	Crown Face Knurled	2-Ply Black PVC with #36 Unibar Lacing	Adjustable 12 Gauge Unistrut

Design and Construction Features

ToughTrak – Tough and Durable Low Profile Conveyors

ToughTrak low profile conveyors are lean and mean working machines. These steel fabricated, tough and durable conveyors are built to survive the extreme tests of the manufacturing environment. ToughTrak is not only built to last, they can be built to your exact length and width specifications at a cost lower than any other low profile conveyor.

ToughTrak Low Profile Conveyors are American made and American engineered to work harder and last longer than any competitor in its class. That's why they are called ToughTrak!



Infeed

Model 150 Discharge



Model 250 Discharge



ToughTrak Model Comparison

MODEL	APPLICATION	DRIVE PULLEY DIA.	DRIVE PULLEY BORE	DRIVE PULLEY BEARING	DRIVE PULLEY HEAD PLATE	DRIVE-MOTOR	TAKE UP/TRACKING
Model 150	Standard Duty Low Profile Applications	1 ⁵ / ₁₆ "	5/8"	Pressed in Precision Bearings	Machined 1/2" Thick	Gearmotors	Internal @ Infeed Internal @ Discharge
Model 250	Heavy Duty Low Profile Applications	2 ⁷ / ₈ "	3/4"	2 Bolt Flanged Grease Sealed	10 Gauge Formed	Motor-Reducer Combinations with 56 C Frames	Internal @ Infeed External @ Discharge

ToughTrak Features and Benefits Summary

1. Tough & Durable Steel Construction

- With ToughTrak you don't have to compromise your conveyors length or width since its steel construction can be made to your exact lengths and widths. (Up to 24" wide and/or 20'6" long)
- ToughTrak is constructed with U.S. made hot rolled, high quality steel. ToughTrak is engineered to survive the extreme tests of the manufacturing environment.

2. Discharge end belt tension/take up system with a 3³/₄" of belt take up

- Unlike the competition, ToughTrak's belt take up system is on the conveyor's discharge end and not at the infeed. Since the discharge end is often the most accessible end of the conveyor, belt tensioning is completed quick and easy.
- In some applications the belt will stretch and the resulting slack must be "taken up". ToughTrak is engineered to provide 3³/₄" of belt take up (2¹/₂" at discharge and 1¹/₄" at infeed). This much take up means belts can be used longer saving you money, time and replacement part frustrations.

3. Rugged and Durable One piece, 12 gauge frame and bed with detachable bottom pan

- ToughTrak's frame and bed are laser cut from a single piece of steel providing a strong, smooth low friction slider bed surface.
- The formed frame includes a detachable bottom pan providing unmatched pinch point protection below the conveyors frame. ToughTrak's primary competitors cannot match this safety feature.

4. Bolt on Side Rails, Supports and Accessories

- The side rails, supports and accessories are easily installed and removed as necessary.

5. Quick belt change feature with U.S. standard fasteners

- When it's necessary to change a belt, hunting for metric wrenches or the costly special tool kit required by some competitors can be frustrating. American made ToughTrak eliminates this hassle since the belt can be changed with only one tool. Yes! ToughTrak belts can be changed in 10 minutes or less using only a ³/₁₆" Allen wrench. NOTE: the same wrench removes the supports and side rails.

6. Adjustable 12 Gauge Unistrut style supports

- These rugged and durable 12 gauge steel supports are designed to meet the demands of the manufacturing environment. ToughTrak supports are also readily adjustable.

7. Tough and Durable Hammertone Paint

- Specially formulated durable Hammertone Paint protects your investment against corrosion and cosmetic damage.

8. Belt Selection

- Describe your application and we will provide the right belt! New London Engineering stocks belts ranging from economical PVC to dependable Urethane. Quick delivery is not a problem since both lacing and endless belting capabilities are available on site.

9. Quick Shipments

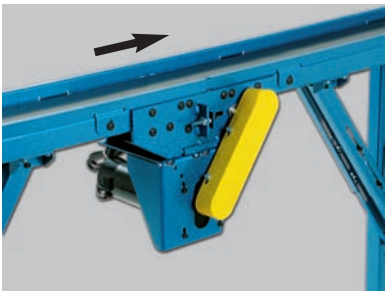
- Many sizes and speeds are available in our UpTime Express – 24 hour ship program.

10. ToughTrak is American made and American Engineered

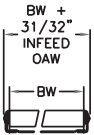


Open this page for a full view of Model 150 Drive Packages

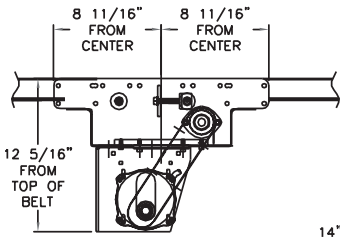
Model 150 Center Drives*



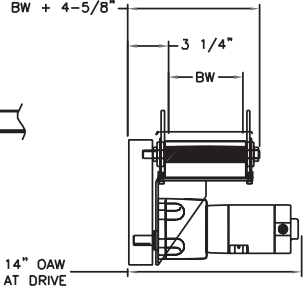
Infeed



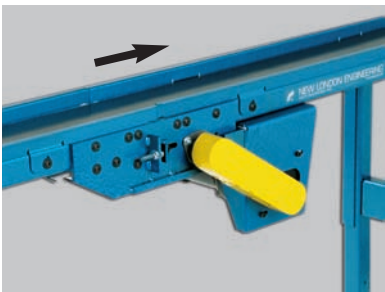
Side



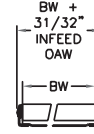
Discharge



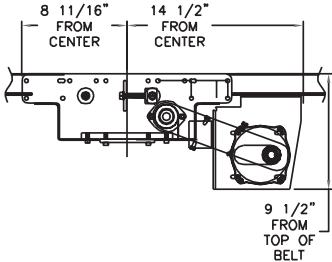
DRIVE #1 Center Drive* • Bottom Mount • Inline Gearmotor • Under Belt



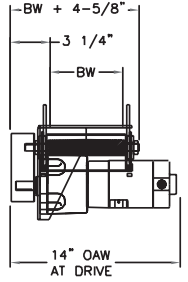
Infeed




Side



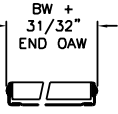
Discharge



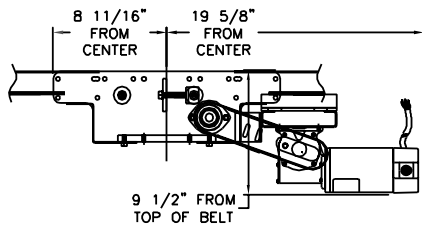
DRIVE #2 Center Drive* • Frame Mount • Inline Gearmotor • Under Belt



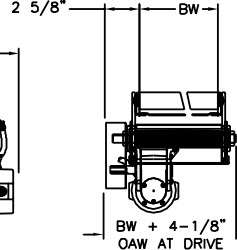
Infeed




Side



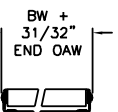
Discharge



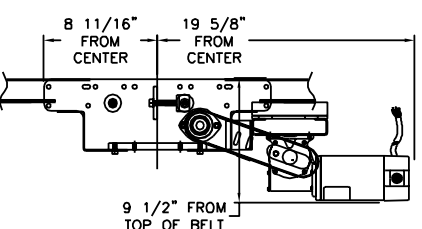
DRIVE #3 Center Drive* • Frame Mount • Right Angle Gearmotor • Discharge Facing



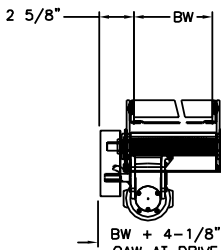
Discharge



Side



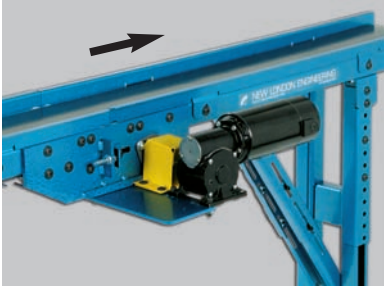
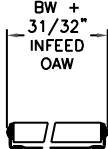
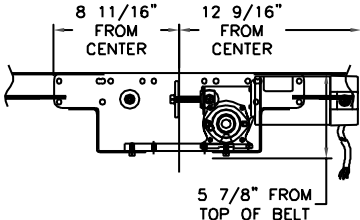
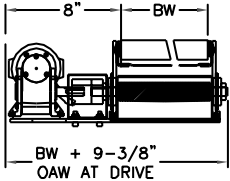
Infeed

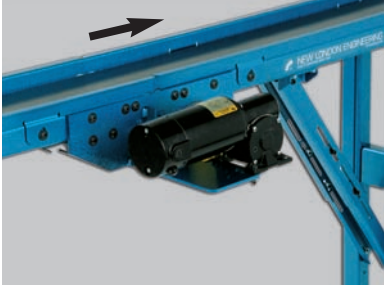
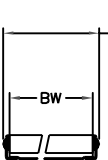
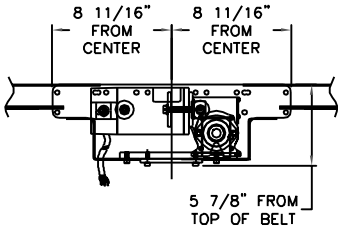
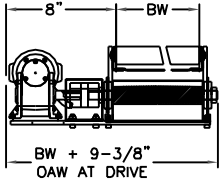


DRIVE #4 Center Drive* • Frame Mount • Right Angle Gearmotor • Infeed Facing


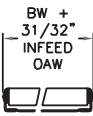
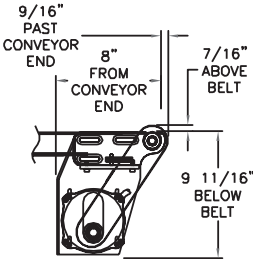
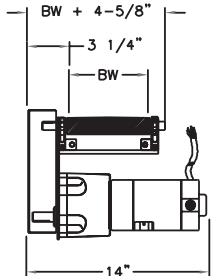
*Center mounts are typically mounted in the center (middle) of the conveyor.
 If you require the mount location to be off center (closer to the infeed or discharge), please specify at time of order.
 All 150 diagrams are shown with DC drives. All dimensions are subject to change.


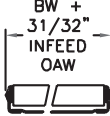
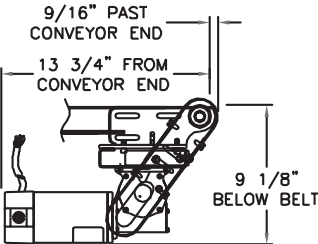
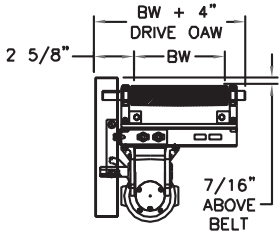
Model 150 Center Drives*

	Infeed	Side	Discharge
			
DRIVE #5	Center Drive* • Shaft Mount • Right Angle Gearmotor • Discharge Facing		

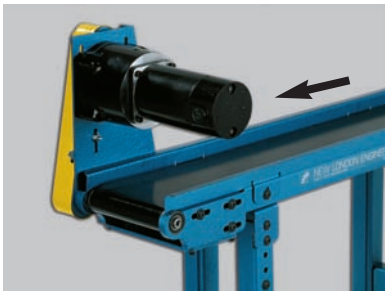
	Infeed	Side	Discharge
			
DRIVE #6	Center Drive* • Shaft Mount • Right Angle Gearmotor • Infeed Facing		

Model 150 End Drives – Bottom Mounts

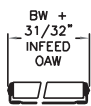
	Infeed	Side	Discharge
			
DRIVE #7	End Drive • Bottom Mount • Inline Gearmotor • Under Belt		

	Infeed	Side	Discharge
			
DRIVE #8	End Drive • Bottom Mount • Right Angle Gearmotor • Infeed Facing		

Model 150 End Drives – Top Mounts

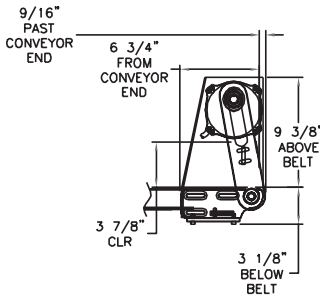


Infeed



$BW + 31/32"$
INFEED
OAW

Side



$9/16"$ PAST
CONVEYOR
END

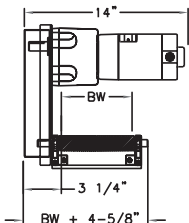
$6 3/4"$ FROM
CONVEYOR
END

$9 3/8"$ ABOVE
BELT

$3 7/8"$ CLR

$3 1/8"$ BELOW
BELT

Discharge




$14"$

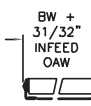
$3 1/4"$

$BW + 4-5/8"$

DRIVE #9 End Drive • Top Mount • Inline Gearmotor • Over Belt

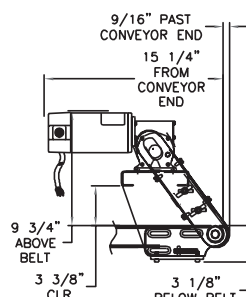


Infeed



$BW + 31/32"$
INFEED
OAW

Side



$9/16"$ PAST
CONVEYOR
END

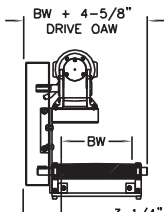
$15 1/4"$ FROM
CONVEYOR
END

$9 3/4"$ ABOVE
BELT

$3 3/8"$ CLR

$3 1/8"$ BELOW
BELT

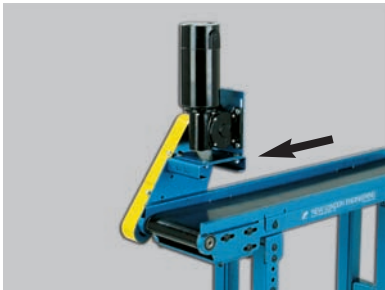
Discharge



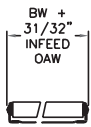
$BW + 4-5/8"$
DRIVE OAW

$3 1/4"$

DRIVE #10 End Drive • Top Mount • Right Angle Gearmotor • Infeed Facing

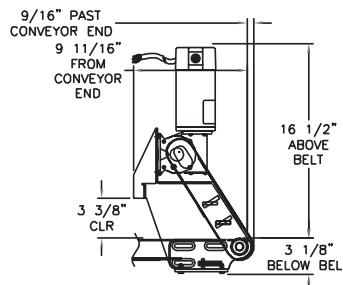


Infeed



$BW + 31/32"$
INFEED
OAW

Side



$9/16"$ PAST
CONVEYOR
END

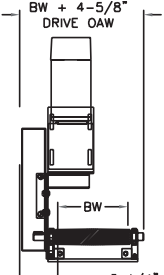
$9 11/16"$ FROM
CONVEYOR
END

$16 1/2"$ ABOVE
BELT

$3 3/8"$ CLR

$3 1/8"$ BELOW
BELT


Discharge



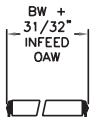
$BW + 4-5/8"$
DRIVE OAW

$3 1/4"$

DRIVE #11 End Drive • Top Mount • Right Angle Gearmotor • Vertical Facing

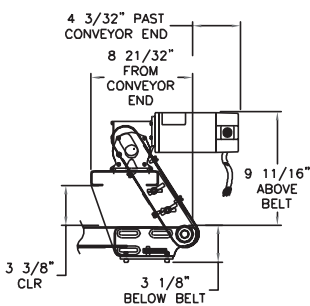


Infeed



$BW + 31/32"$
INFEED
OAW

Side



$4 3/32"$ PAST
CONVEYOR
END

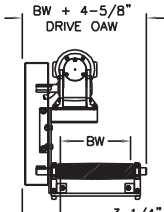
$8 21/32"$ FROM
CONVEYOR
END

$9 11/16"$ ABOVE
BELT

$3 3/8"$ CLR

$3 1/8"$ BELOW
BELT

Discharge

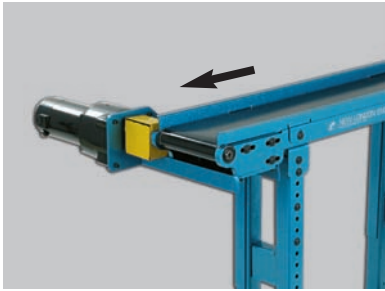


$BW + 4-5/8"$
DRIVE OAW


$3 1/4"$

DRIVE #12 End Drive • Top Mount • Right Angle Gearmotor • Discharge Facing

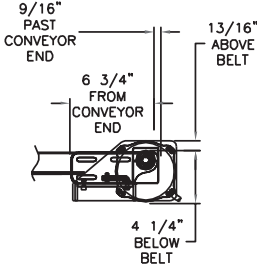
Model 150 End Drives – Shaft Mounts



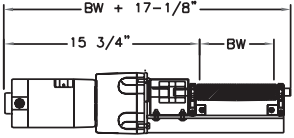
Infeed



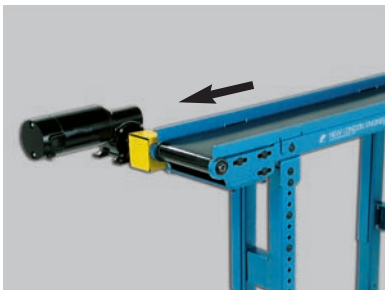
Side




Discharge



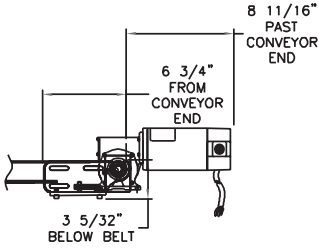
DRIVE #13 End Drive • Shaft Mount • Inline Gearmotor • Side Facing



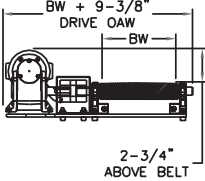
Infeed




Side



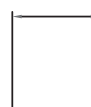
Discharge



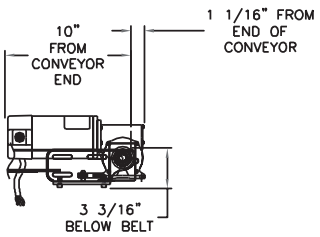
DRIVE #14 End Drive • Shaft Mount • Right Angle Gearmotor • Discharge Facing



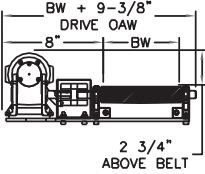
Infeed



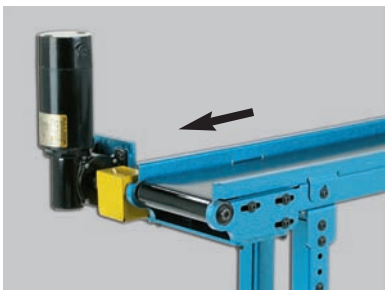
Side




Discharge



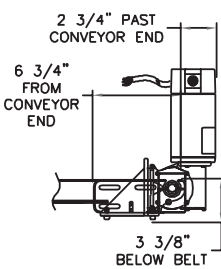
DRIVE #15 End Drive • Shaft Mount • Right Angle Gearmotor • Infeed Facing



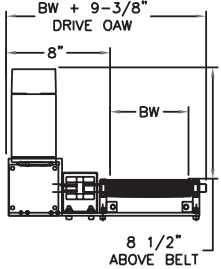
Infeed



Side



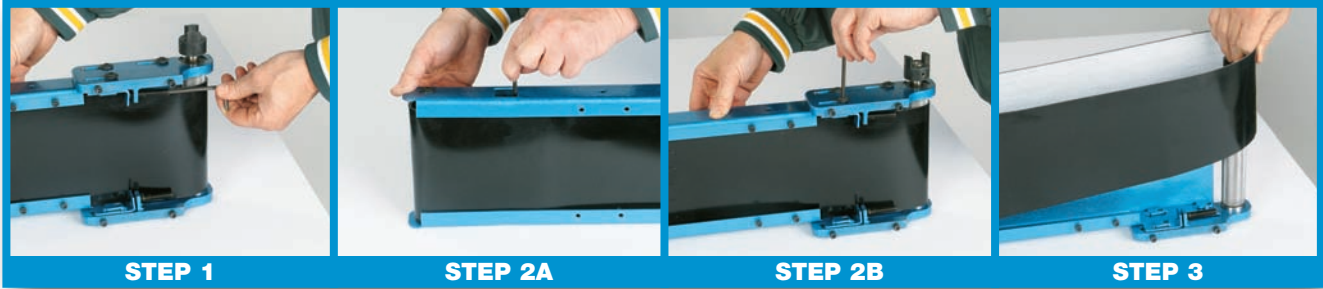
Discharge



DRIVE #16 End Drive • Shaft Mount • Right Angle Gearmotor • Vertical Facing

Endless Belt Quick Belt Change Feature

Change Belts in 10 minutes or less



1. Loosen the socket head take up screws within the internal belt tension system.
2. Loosen the fasteners on both the infeed and drive pulleys and slide both pulleys toward the center of the conveyor. (Note: Try to slip the belt over the frame. If the belt will not slip over the frame, go to step 3.)
3. Remove the head plate from the drive end pulley. Slide the belt over the pulley and off the conveyor.

Standard Speed Options

All speed options are available in Variable Speed. Other Speeds are available upon request.

Model 150

3 PHASE RIGHT ANGLE 208/230/460/3/60		3 PHASE IN LINE 208/230/460/3/60		1 PHASE RIGHT ANGLE 115/1/60		1 PHASE IN LINE VOLTAGES ARE LISTED BELOW			DC RIGHT ANGLE 90V & 180V		DC IN LINE 90V & 180V		AIR MOTORS	
Speed – FPM	HP	Speed – FPM	HP	Speed FPM & Voltage	HP	Speed FPM & Voltage	HP	Speed – FPM	HP	Speed – FPM	HP	Speed – FPM	HP	
15	1/4	59	1/3	14-115V	1/6	20-115V	1/6	20	1/6	21	1/4	15	1/20	
29	1/4	118	1/3	28-115V	1/6	30-115 & 230V	1/3	30	1/6	28	1/4	30	1/10	
58	1/4			57-115V	1/6	59-115 & 230V	1/3	59	1/6	57	1/4	60	1/5	
117	1/4			110-115V	1/6	118-115 & 230V	1/3	119	1/6	86	1/4	120	1/3	

Model 250

HP	VOLTAGES	SPEEDS – FPM
1/3 HP & 1/2 HP 56 C Frame TEFC Motors and Reducers	115/230/1/60 & 230/460/3/60	15, 20, 25, 30, 35, 40, 45, 60, 90
1/4 HP & 1/2 HP 56 C Frame TEFC Motors and Reducers	90V & 180V DC	15, 20, 25, 30, 35, 40, 45, 60, 90

*Uptime Express shipments are shaded in blue.

Load Capacity Charts

WIDTH	2"	4"	6"	8"	10"	12"	14"	16"	18"	20"	22"	24"	
MAXIMUM LIVE LOAD	LIVE LOAD	LIVE LOAD	LIVE LOAD	LIVE LOAD	LIVE LOAD	LIVE LOAD	LIVE LOAD	LIVE LOAD	LIVE LOAD	LIVE LOAD	LIVE LOAD	LIVE LOAD	
MODEL 150	#	60	120	180	240	300	360	420	416	432	420	418	432
MODEL 250	#	84	168	252	336	420	504	588	640	648	640	660	648

*Use this chart as a guideline only. Applications and drive selection factors will vary. Capacities are based on the following:
Uniform, non-accumulating horizontal belt travel with the conveyor empty at start up and a pulling not pushing drive.

Open this page for a full view of Model 150 Drive Packages

Model 250 Center Drives

Infeed

Side

Discharge

DRIVE #17
Center Drive • Bottom Mount • Discharge Facing

Infeed

Side

Discharge

DRIVE #18
Center Drive • Bottom Mount • Infeed Facing

Infeed

Side

Discharge

DRIVE #19
Center Drive • Frame Mount • Discharge Facing

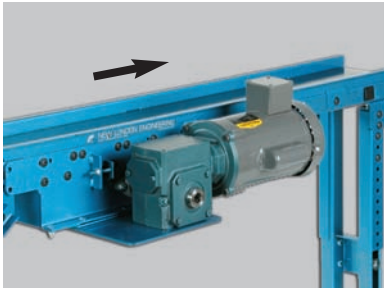
Infeed

Side

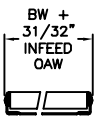
Discharge

DRIVE #20
Center Drive • Frame Mount • Infeed Facing

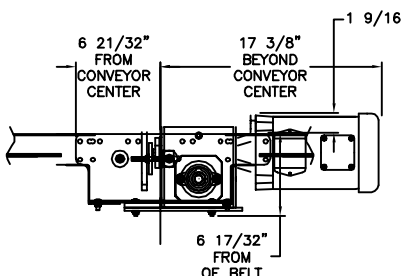
Model 250 Center Drives



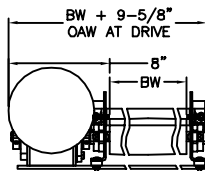
Infeed



Side

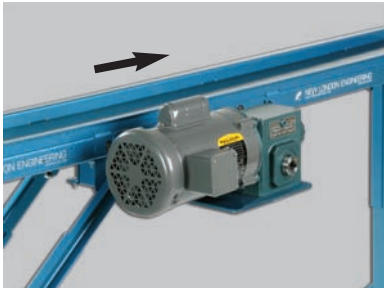


Discharge




DRIVE #21

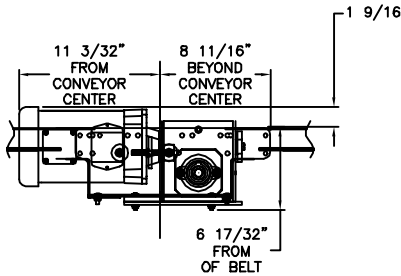
Center Drive • Shaft Mount • Discharge Facing



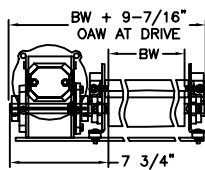
Infeed



Side



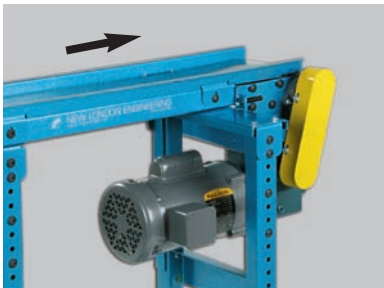
Discharge



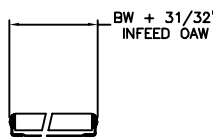
DRIVE #22

Center Drive • Shaft Mount • Infeed Facing

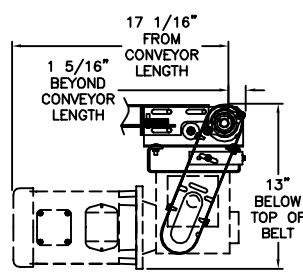
Model 250 End Drives – Bottom Mounts



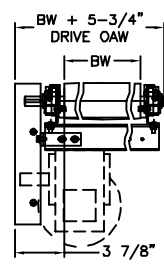
Infeed



Side



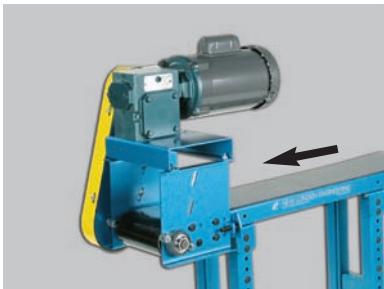
Discharge



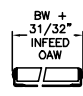
DRIVE #23

End Drive • Bottom Mount • Infeed Facing

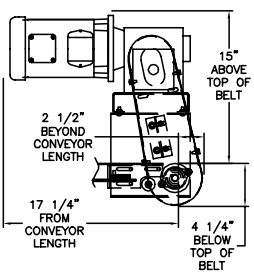
Model 250 End Drives – Top Mounts



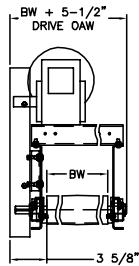
Infeed



Side



Discharge



DRIVE #24

End Drive • Top Mount • Infeed Facing

Model 250 End Drives – Top Mounts

Infeed

Side

Discharge

DRIVE #25 End Drive • Top Mount • Discharge Facing

Model 250 End Drives – Side Mounts

Infeed

Side

Discharge

DRIVE #26 End Drive • Side Mount • Infeed Facing

Model 250 End Drives – Shaft Mounts

Infeed

Side

Discharge

DRIVE #27 End Drive • Shaft Mount • Infeed Facing

Infeed

Side

Discharge

DRIVE #28 End Drive • Shaft Mount • Discharge Facing

Stainless Steel



12-Gauge Dull Mill #304-2B Finish

Level 1 – Fully Loaded Stainless Steel Construction

All the conveyor components, hardware, belt lacing and options are produced with non magnetic stainless steel.

Level 2 – Surface Component Stainless Steel Construction

All the surface and exposed components are replaced with non-magnetic stainless steel. All other components remain standard.

Cleated Belts



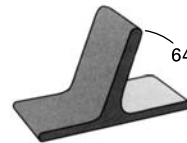
Cleat Height Base Width

1/2"	.96"
3/4"	.96"
1"	1.15"
1 1/2"	1.15"
2"	1.15"



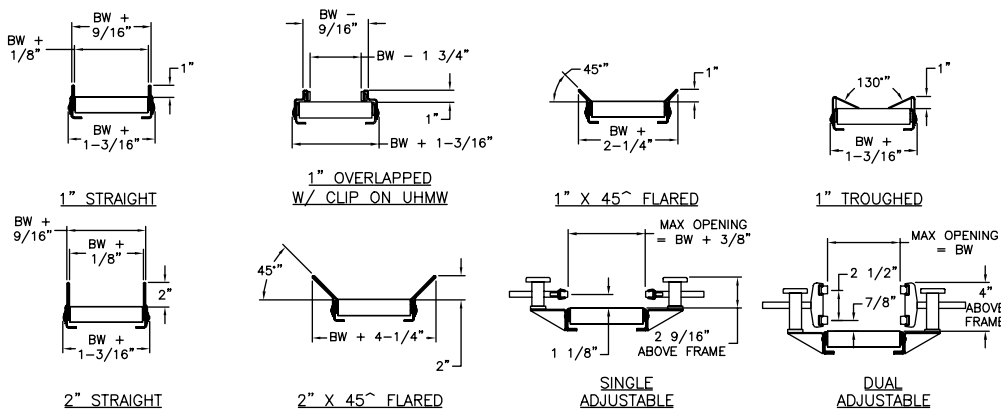
Scooped Cleats

1 1/4"	1.15"
2"	1.15"



ToughTrak Side Rails

The standard rail height is 1". Other siderail options are listed below. Special heights and special designs are available upon request. All rails are available with UHMW lining.



Open this page for a full view of Model 250 Drive Packages

CUSTOM AND STANDARD CONVEYORS

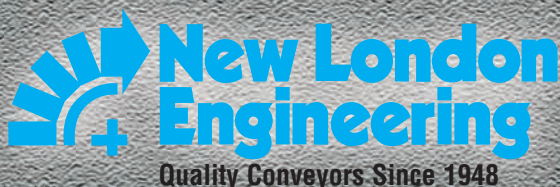
We are a full line conveyor supplier specializing in engineering high quality, quick delivery conveyors.

- Accumulation Conveyors
- Belt Driven Live Roller Conveyors
- Bulk Material Handling Conveyors
- Cleated Belt Parts Conveyors
- Chain Driven Live Roller Conveyors
- Chain Transfers
- Drag Conveyors
- Floor-to-Floor Conveyors
- Gravity Roller
- Magnetic Conveyors
- Pallet Dispensers
- Power Roller Conveyors
- PlastiTrak - A full line of plastic belt conveyors
- Quick Start Electrical Controls
- Slat Conveyors
- Slider Bed Conveyors
- Specialty Conveyors
- SteelTrak - Hinged Steel Belt Conveyors
- ToughTrak - Tough and durable thin line conveyors
- Turntables
- UpTime Express - 24 hour shipments
- V-Belt Conveyors
- Wire Mesh Conveyors



REPLACEMENT PARTS

For easy part identification,
go to NLECO.com and
click on Replacement Parts



1700 Division Street • New London, WI 54961
800-437-1994 • 920-982-4030 • fax: 920-982-6800
www.nleco.com

Brochure #TT07-07