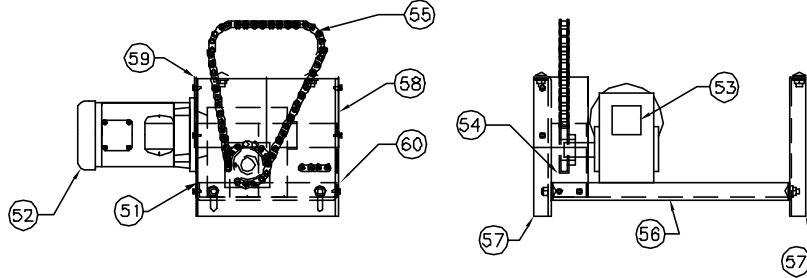


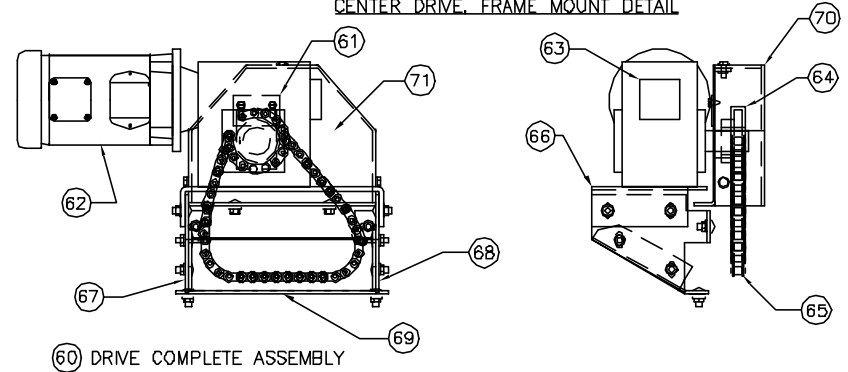
## Replacement Parts List for Model # 670

CENTER DRIVE, BOTTOM MOUNT DETAIL

50 DRIVE COMPLETE ASSEMBLY

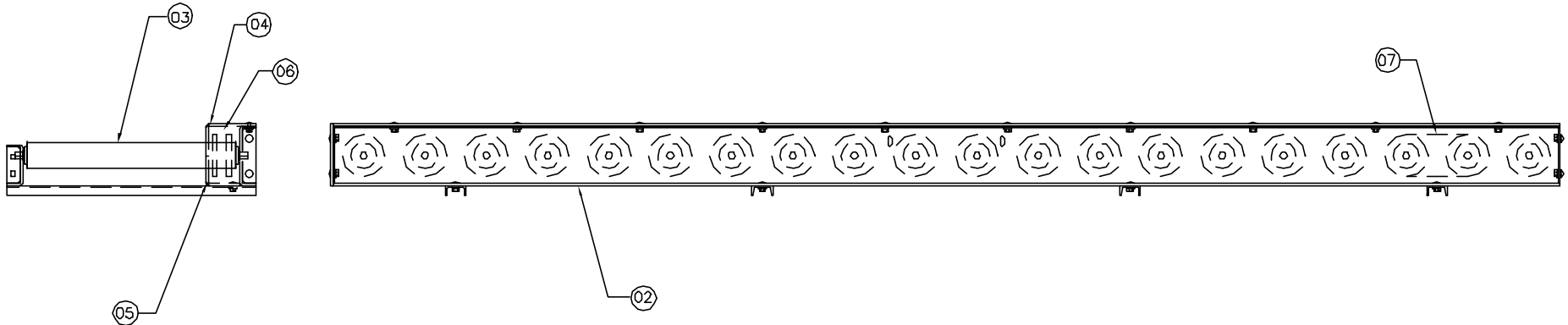


CENTER DRIVE, FRAME MOUNT DETAIL



CONVEYOR SIDE VIEW

01 FRAME COMPLETE ASSEMBLY



### PN Description

01 Frame Complete Assy	06 End Cap, Progressive Chain Drive Guard	53 Drive Gear Reducer (1)	Lh Upper (1)	64 Primary Drive Sprocket (1)
02 Frame Weldment	07 Chain Segment, Roll To Roll Progressive	54 Primary Drive Sprocket (1)	60 Drive Chian Guard, Rh Lower (1)	65 Primary Drive Chain (1)
03 Roller Assembly With Sprockets	50 Center Drive, Bottom Mount Complete Assembly (1)	55 Primary Drive Chain (1)	60 Center Drive, Bottom Mount Complete Assembly (1)	66 Center Drive Bottom Mount Motor Base (1)
04 Upper Guard, Progressive Chain Drive	51 Drive Chain Guard, Lh Lower	56 Center Drive Bottom Mount Motor Base (1)	61 Gear Reducer Shaft Hole Cover (1)	67 Headplate, Lh (1)
05 Lower Guard, Progressive	52 Drive Motor (1)	57 Headplate (2)	62 Drive Motor (1)	68 Headplate, Rh (1)
		58 Drive Chain Guard, Rh Upper (1)	63 Drive Gear Reducer (1)	69 Headplate Stiffener (1)
		59 Drive Chain Guard,		70 Drive Chain Guard Front (1)
				71 Drive Chain Guard Back (1)