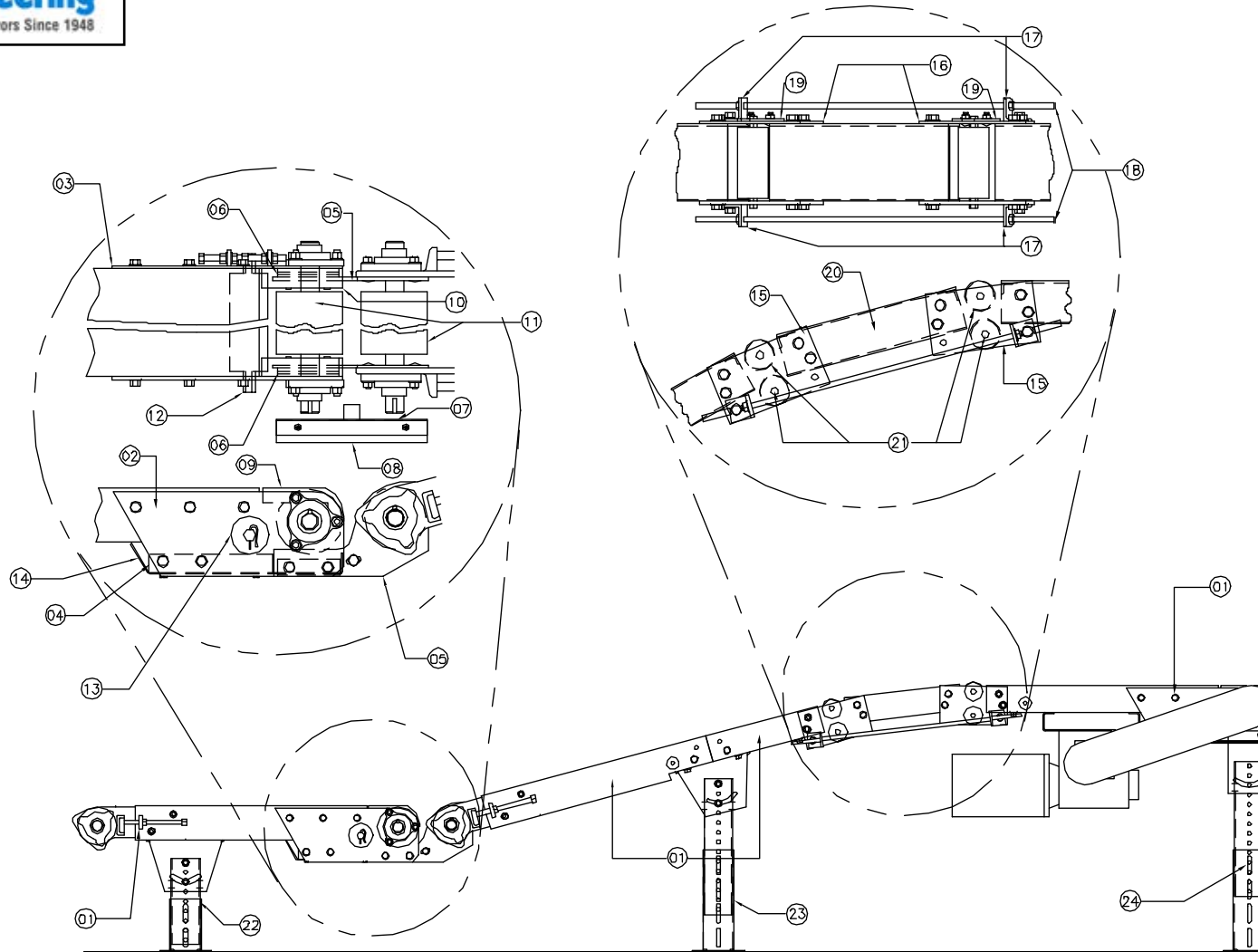


## Replacement Parts List for Model # 410 and Model # 420



### PN Description

01 See Model 200	07 Guard Back	16 Left Noseover Splice Plate
02 Motor Side Drive Plate	08 Guard Weldment	17 Tension Rod Bracket
03 Non-motor Side Drive Plate	09 Pulley Guard (Right Side)	18 Tension Rod
04 Snub Guard Angle Bracket	10 Pulley Guard (Left Side)	19 Adjustment Tab
05 Power Feeder Bracket	11 Drive Pulley	20 12" Long Frame Section
06 Power Feeder Bracket Spacers	12 Hex Shaft (Snub Roller)	21 Noseover Rollers
	13 Snub Roller	22 Infeed Support Leg
	14 Snub Guard	23 Incline Support Leg
	15 Right Noseover Splice Plate	24 Discharge Support Leg