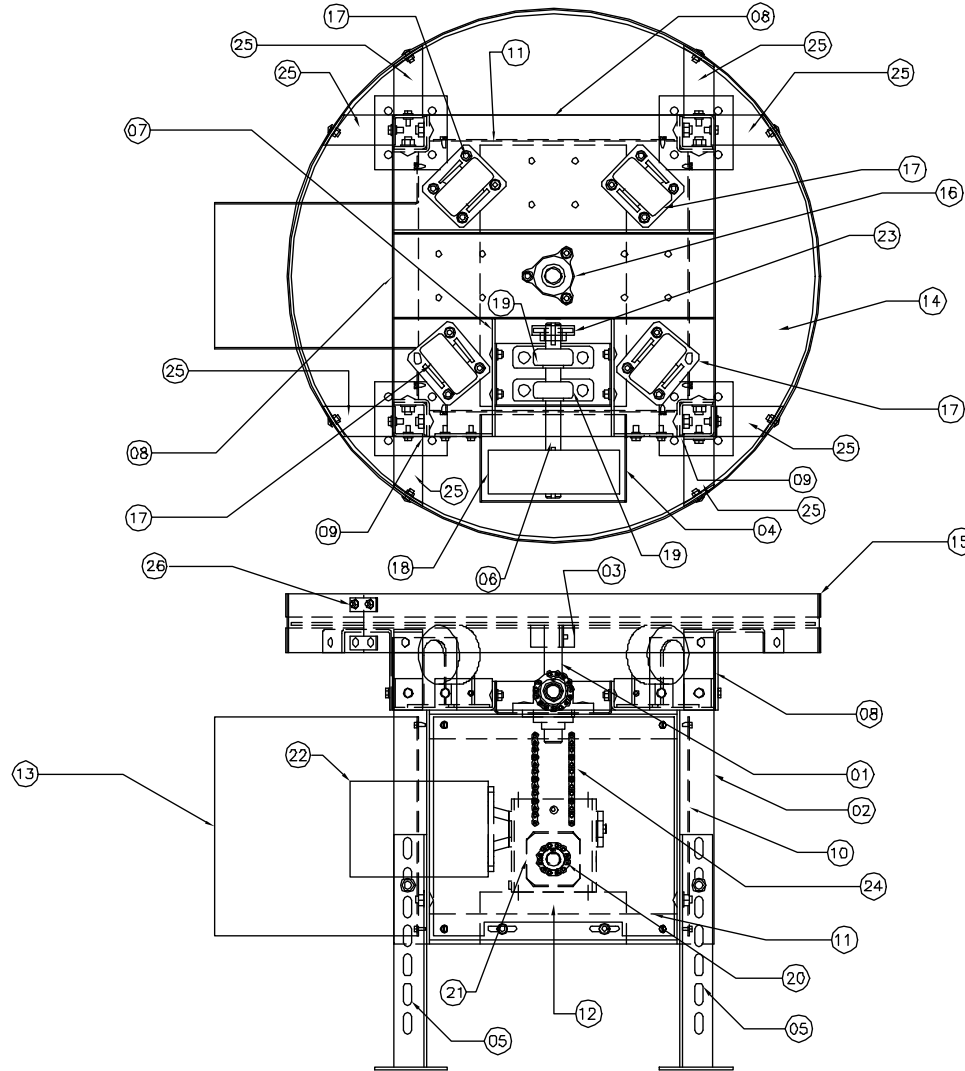


## Replacement Parts List for Model # 180 and Model # 181



### PN Description

01 Table Center Shaft	08 Long Caster Guard	16 3-bolt Flanged Bearing (1 3/16" Bore)	23 Drive Sprocket
02 Frame	09 Short Caster Guard	17 4" Diameter Rigid Caster	24 Drive Chain
03 Turntable Center Hub	10 Motor/reducer Guard (Expanded Metal)	18 Traction Wheel	25 Fixed Rail Mounting Bracket
04 Traction Wheel Guard	11 Motor/reducer Guard (14 Ga)	19 2-bolt Pillow Block Bearing (1" Bore)	26 Siderail Tab
05 Lower Support Leg	12 Motor Base	20 Driven Sprocket	
06 Drive Shaft	13 Motor Guard	21 Reducer	
07 Pillow Block Mounting Plate	14 Table Top	22 Motor	
	15 Siderail		