

MODEL 751

SIDE MOUNT DRIVE

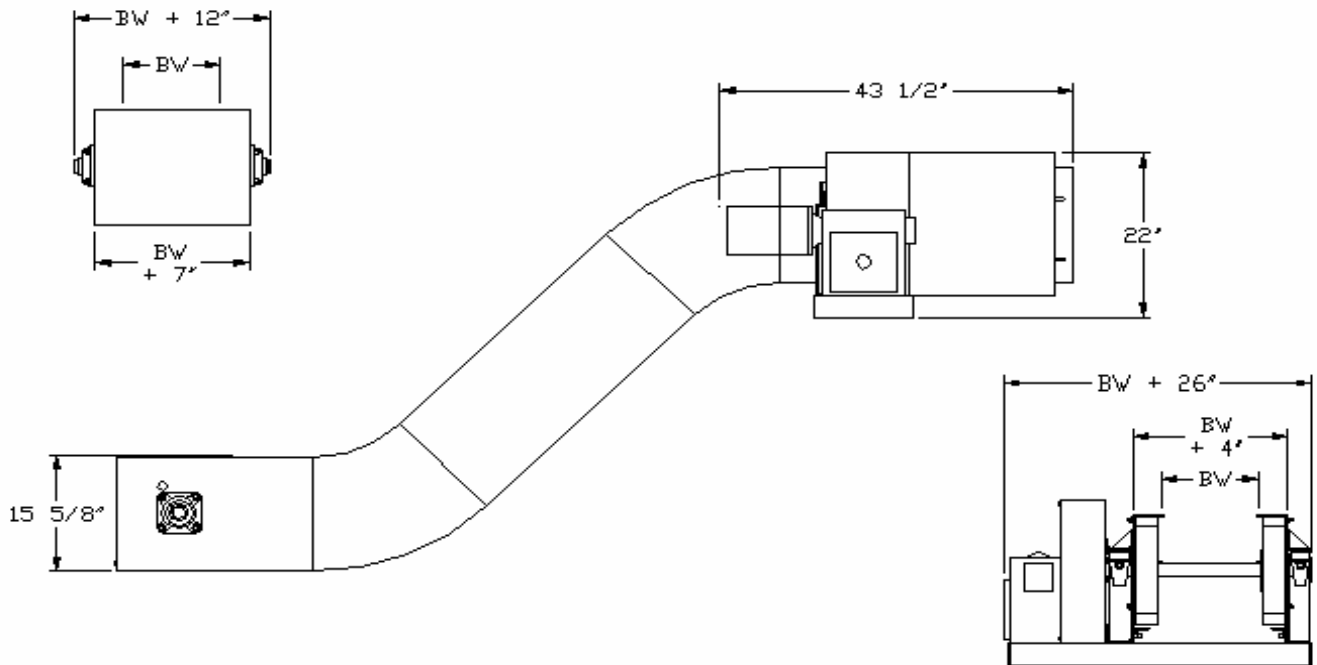
4" PITCH HINGED STEEL BELT CONVEYOR

(M750 is a heavy drive and infeed shaft M751)

A heavy-duty 4" pitch hinged steel steel belt conveyor. It is designed for heavy duty industrial metal handling applications.

Drive Shaft Diameters: (M751= 1 15/16") (M750= 2 15/16")

Infeed Shaft Diameters: (M751= 1 11/16") (M750= 1 15/16")



SIDE MOUNT DRIVE

SIDE MOUNT DRIVE

1700 Division Street, New London, WI 54961

Phone: (800) 437-1994

Fax: (920) 982-6800

www.nleco.com