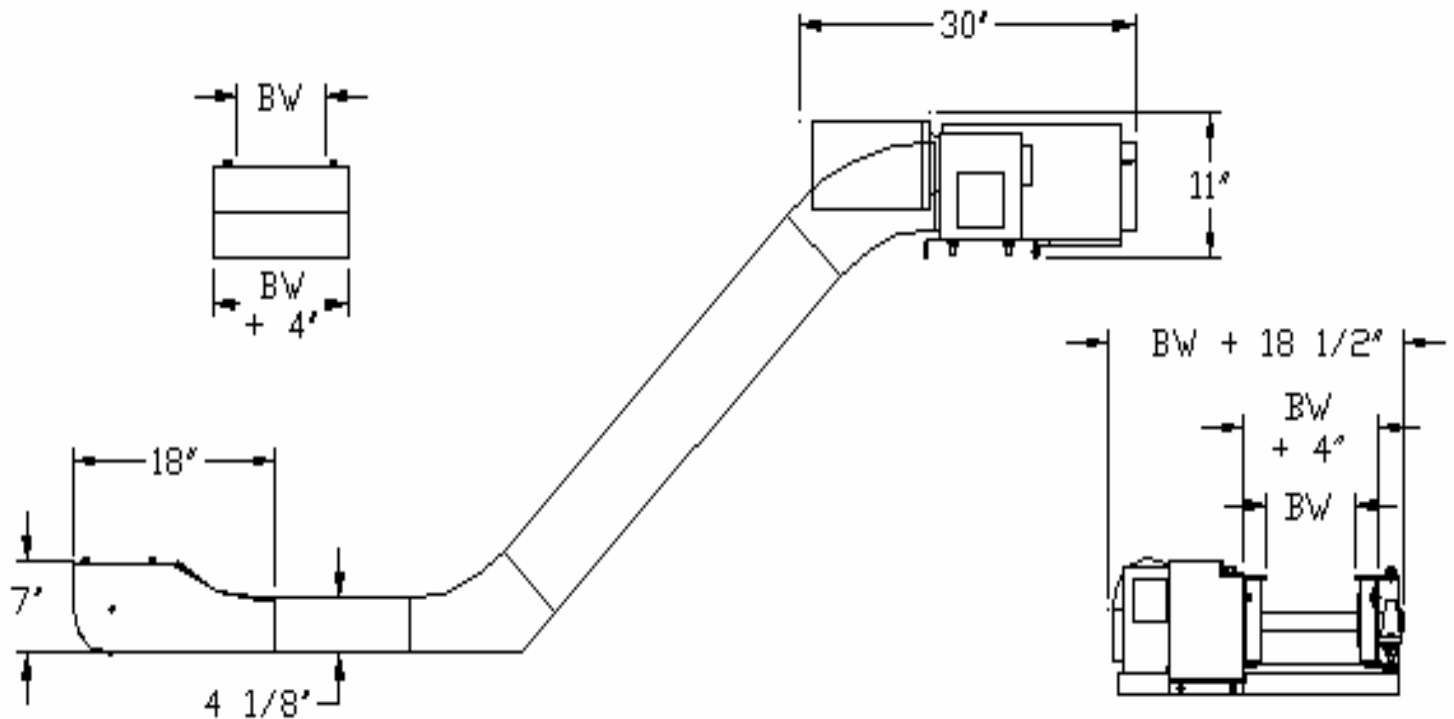


## SIDE MOUNT DRIVE

### TAPERED INFEED 2 1/2" PITCH HINGED STEEL BELT CONVEYOR

This units infeed tapers from 6 5/8" to 4 1/8" and then back to 6 5/8". The very shallow 4 1/8" section is designed so the unit can fit into a very tight space inside or under an existing machine.



SIDE MOUNT DRIVE

## SIDE MOUNT DRIVE

1700 Division Street, New London, WI 54961

Phone: (800) 437-1994

Fax: (920) 982-6800

[www.nleco.com](http://www.nleco.com)