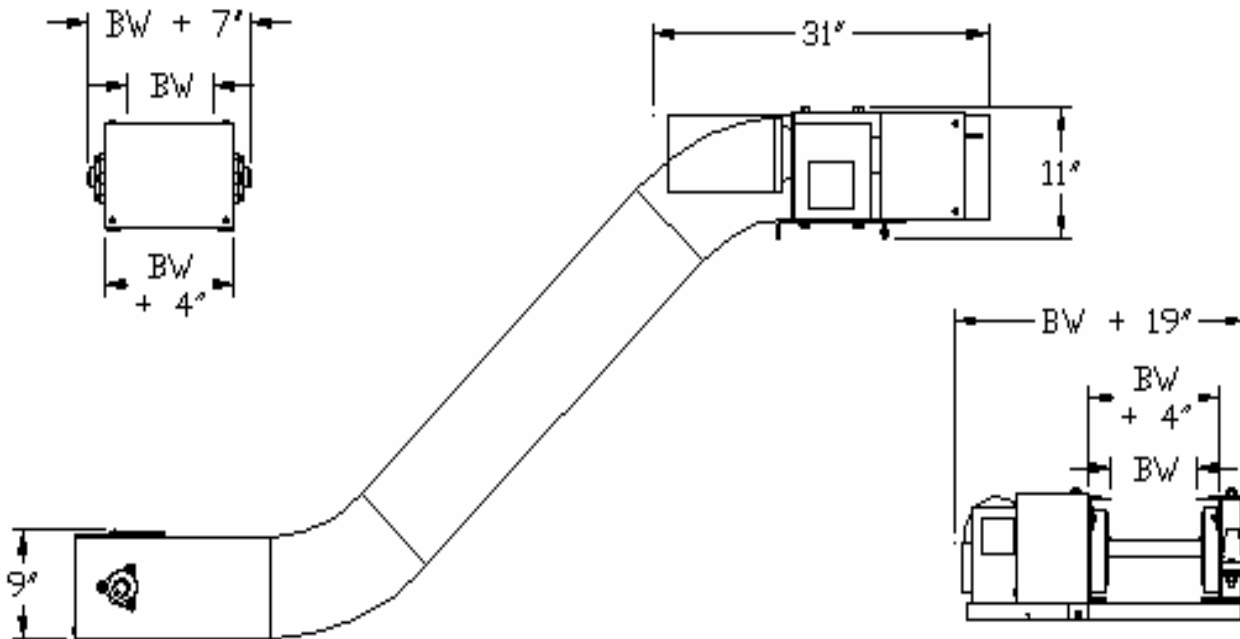


MODELS 721 & 724

SIDE MOUNT DRIVE

2 1/2" PITCH HINGED STEEL BELT CONVEYOR

This unit is one of the industry's most economical and dependable hinged steel belt conveyors. It features a deep frame of 8 1/2" through its entire length. This deep frame is designed for long-term, low-maintenance operation in almost any industrial or steel scrap application.



SIDE MOUNT DRIVE

SIDE MOUNT DRIVE

1700 Division Street, New London, WI 54961

Phone: (800) 437-1994

Fax: (920) 982-6800

www.nleco.com