

STANDARD DUTY 2 1/2" PITCH HINGED SCRAP CONVEYOR

(M724 is a liquid tight M721)

1700 Division Street, New London, WI 54961
Phone: (920) 982-4030; Fax: (920) 982-6800
Website: www.nleco.com

This unit is one of the industry's most economical and dependable hinged steel belt conveyors. It features a deep frame of 8 1/2" through its entire length. This deep frame is designed for long-term, low-maintenance operation in almost any industrial or steel scrap application.

Widths: 6", 8", 12", 18", 24", 30" and 36"
(Custom Widths Available)

Lengths: Per Application

Standard Speed: 30 FPM

Standard Motor: 1/2 HP 230/460/3/60 TEFC

Standard Drive: Top Mount, Right Side

Frame: 8 1/2" Deep x Formed 12 Gauge

UpTime Express – 3-5 day shipment widths are highlighted in blue

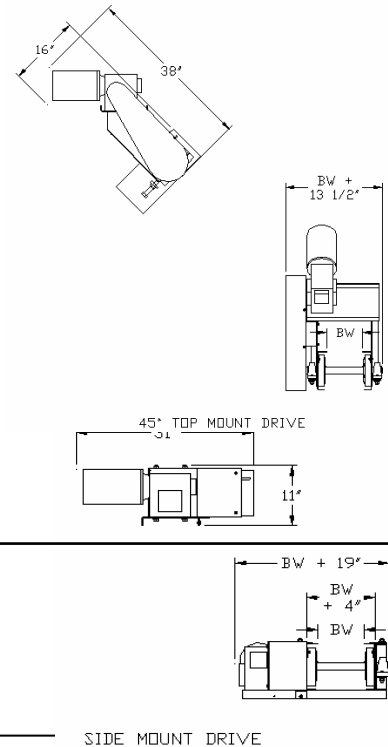
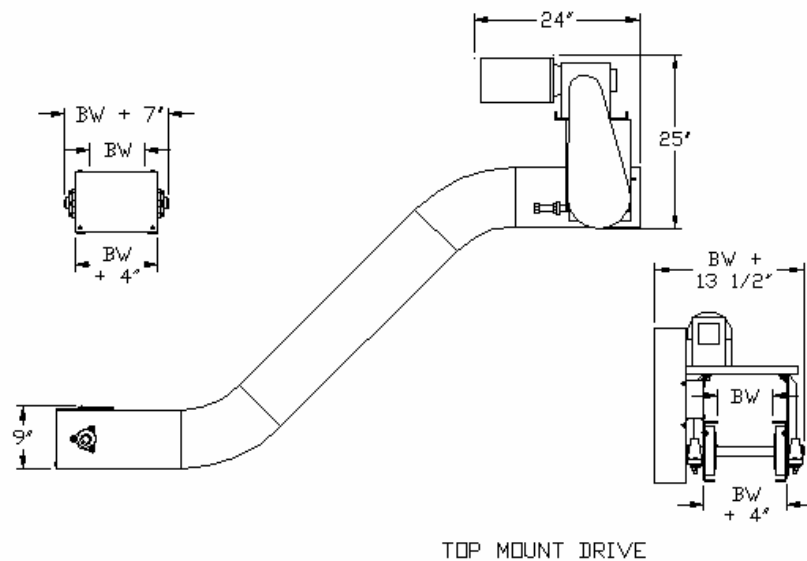
Drive Shaft: 1 7/16" diameter

Bearings: Grease Sealed

Sprockets: 6 Tooth x 5" Pitch Diameter

Belt: 2 1/2" Pitch Hinged Steel Belt with 1 3/8" high cleats on 12 1/2" Centers, 1.5" high side wings, 1.5" Diameter Rollers (Flanged Rollers are available), Outside Sidebars are required on belts greater than 18", but also optional for smaller widths.

BELT WIDTH:	6"	8"	12"	18"	24"	30"	36"
FRAME WIDTH:	10"	12"	16"	22"	28"	34"	40"



Model 721 Series Summary

Model 721- The industry's standard duty 2 1/2" pitch hinged steel belt. Features a 8 1/2" deep frame full length.

Model 720 - Heavy drive shaft M721 (1 11/16" shaft vs. a 1 7/16")

Model 723 – Liquid tight M720

Model 724 – Liquid tight M721