

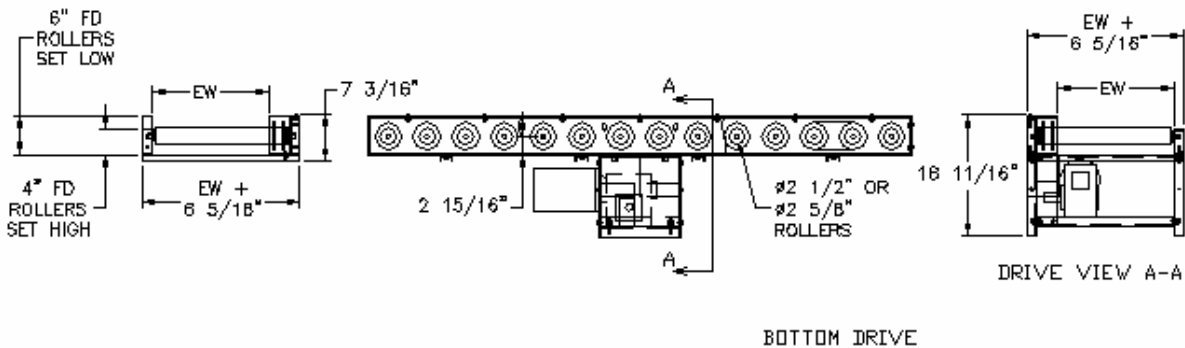
MODEL 670

BOTTOM MOUNT DRIVE

CHAIN-DRIVEN LIVE ROLLER CONVEYOR

1700 Division Street, New London, WI 54961
 Phone: (920) 982-4030; Fax: (920) 982-6800
 Website: www.nleco.com

Chain driven live roller conveyors are used to convey heavy and bulky products like pallets and tires. This unit is built to convey weights up to 1000#/foot.



BOTTOM MOUNT DRIVE

1700 Division Street, New London, WI 54961

Phone: (800) 437-1994

Fax: (920) 982-6800

www.nleco.com