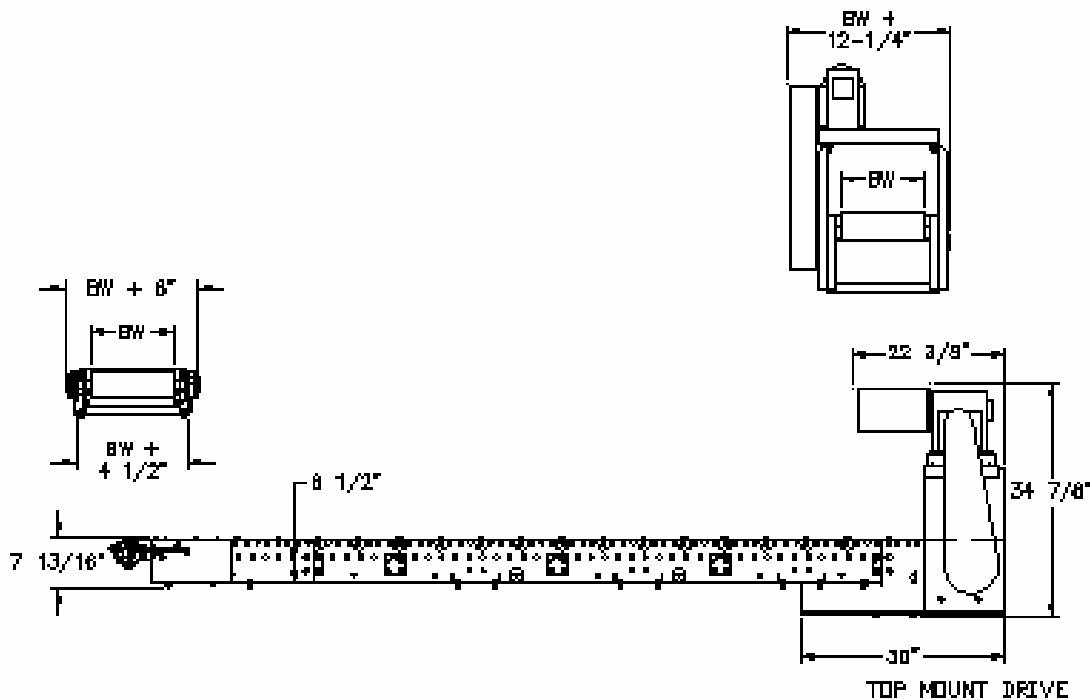


MODEL 640

TOP MOUNT DRIVE

ROLLER BED BELT CONVEYOR

Heavy-duty, industrial-use conveyor made with a roller bed carrying surface that reduces friction to increase load-moving capacity with lower power requirements



TOP MOUNT DRIVE