

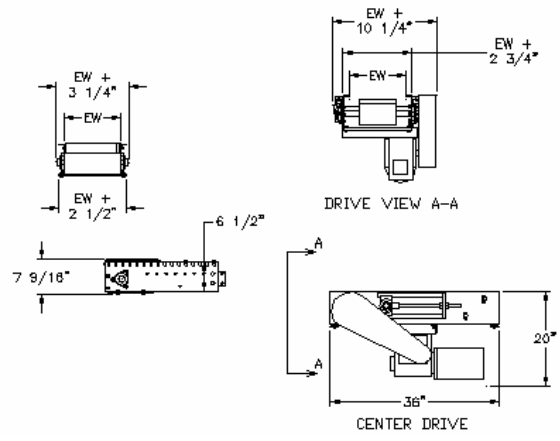
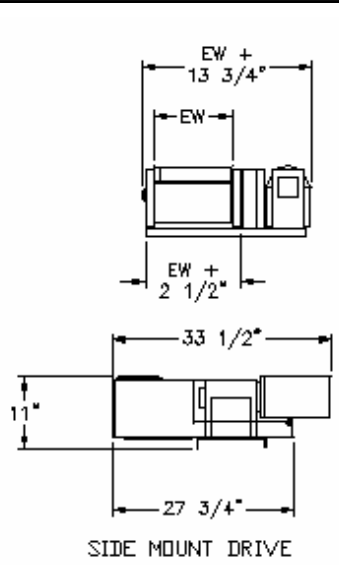
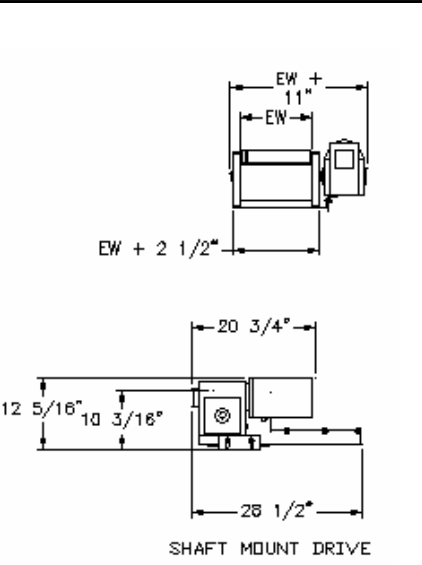
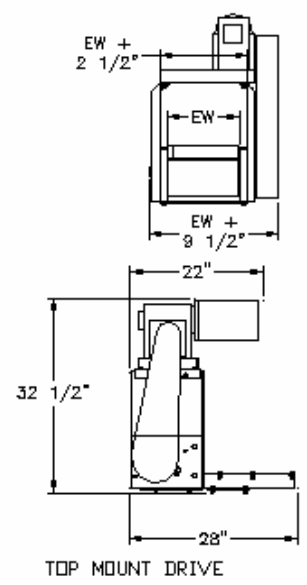
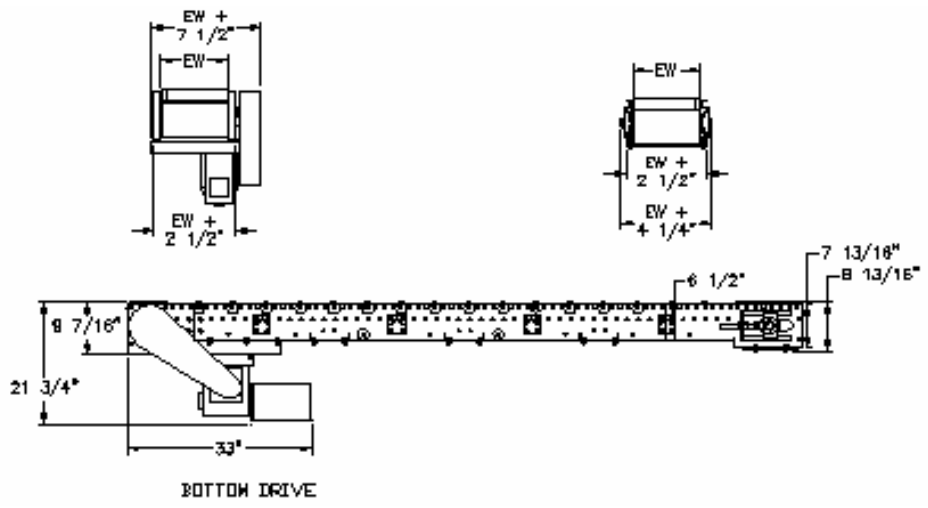
## MEDIUM DUTY BELT-DRIVEN LIVE ROLLER

1700 Division Street, New London, WI 54961  
Phone: (920) 982-4030; Fax: (920) 982-6800  
Website: www.nleco.com

Used to convey heavier loads like loaded pallets, drums and tires. These units are also used in applications that require a pop up style transfer and in side loading applications.

**Widths:** Up to 36"  
**Lengths:** Up to 40'  
**Standard Speed:** 60 FPM  
**Standard Motor:** 1/2 HP 230/460/3/60 TEFC  
**Standard Drive:** Bottom Mount at Infeed, Left Side  
**Standard Belt:** 8" wide Black PVC 120, Clipper Lacing

**Drive Pulley:** 4" Dia Crown Face Rubber Lagged x 1-3/16"  
**Infeed Pulley:** 4" Dia Crown Face Take Up x 1-3/16"  
**Frame:** 6 1/2" Deep x 12 Gauge  
**Standard Rollers:** 2" Diameter x 16 ga. X 7/16" hex shaft on 6" Centers  
**Standard Supports:** 30" Top of Roller



DRIVE VIEW A-A