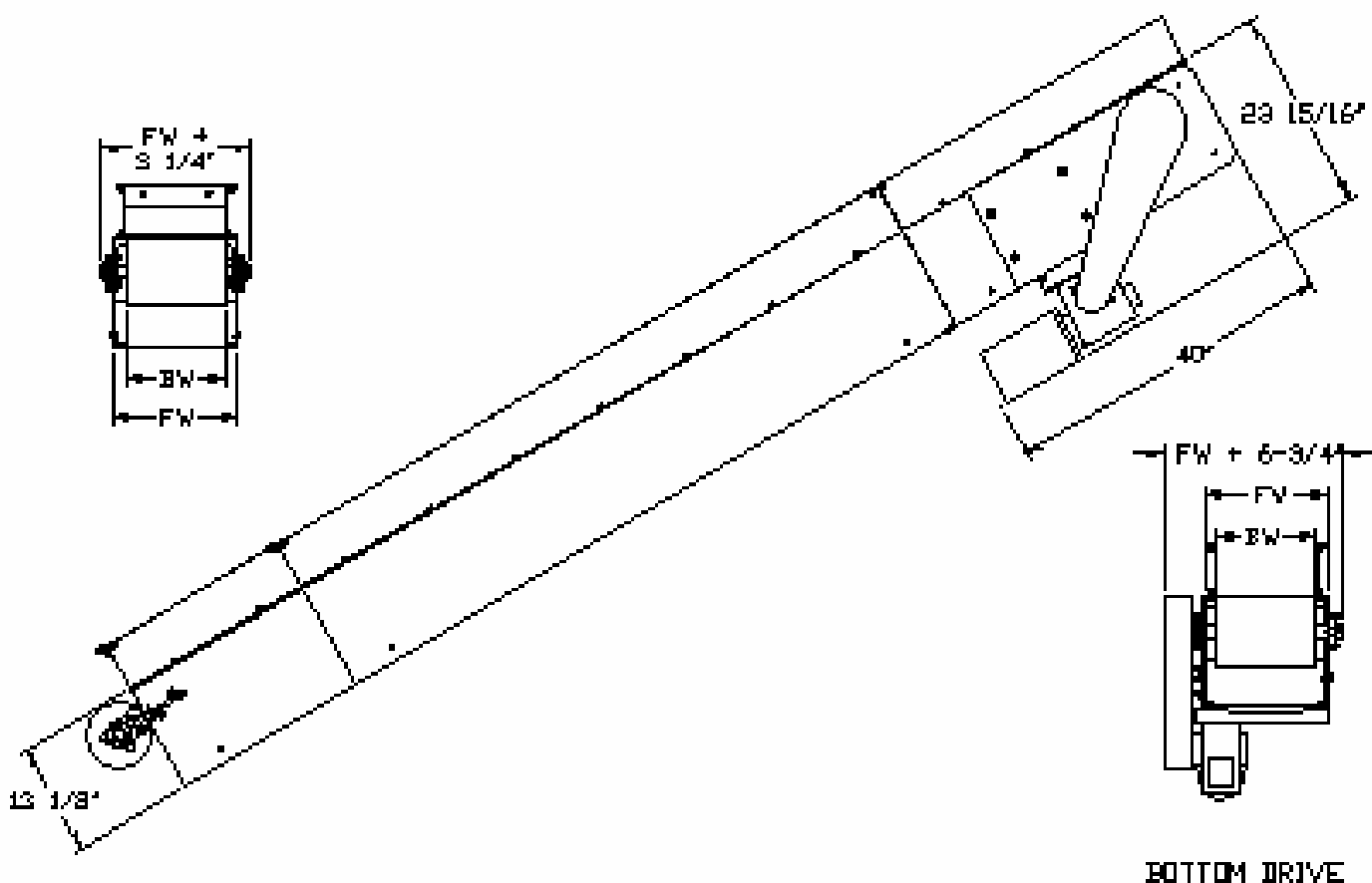


MODEL 506

BOTTOM MOUNT DRIVE MEDIUM DUTY CLEATED INCLINE CONVEYOR HEAVY SHAFT M505

This units deep frame, 3" high cleats, 6" high Side rails and large drive pulley are designed to move larger products easily and efficiently up inclines. This sturdy, solid conveyor is built to last and withstand heavy usage.



BOTTOM MOUNT DRIVE

1700 Division Street, New London, WI 54961

Phone: (800) 437-1994

Fax: (920) 982-6800

www.nleco.com