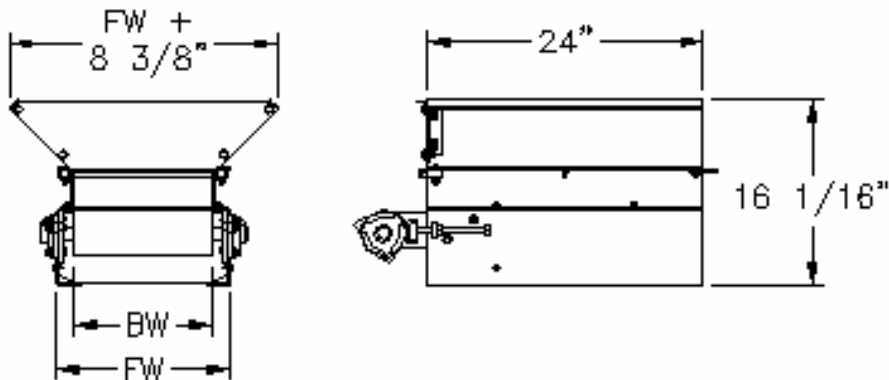


# MODEL 505

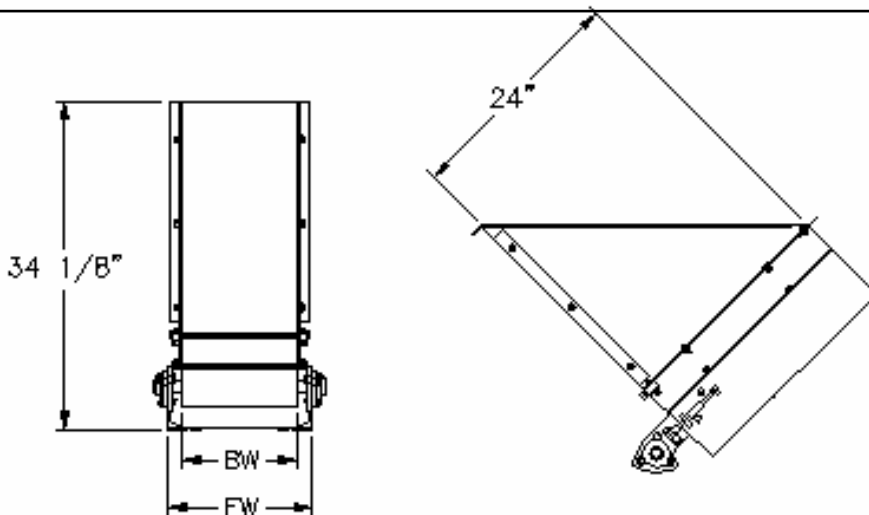
## OPTIONAL HOPPERS

### STANDARD DUTY CLEATED INCLINE CONVEYORS

This units deep frame, 3" high cleats, 6" high Side rails and large drive pulley are designed to move larger products easily and efficiently up inclines. This sturdy, solid conveyor is built to last and *withstand heavy usage.*



FLARED INFEEED HOPPER



LARGE INFEEED HOPPER

1700 Division Street, New London, WI 54961

Phone: (800) 437-1994

Fax: (920) 982-6800

[www.nleco.com](http://www.nleco.com)