

MODEL 505

MEDIUM DUTY CLEATED INCLINE CONVEYOR

This unit features a 13" deep frame, 3" high cleats, 6" high side rails and large drive pulley. It is designed to move larger and heavier products up inclines. This sturdy, solid conveyor is built to last and withstand heavy usage.

Widths: 12" - 48"

Lengths: 5' - 25' (6" Increments)

Standard Length is 5', Two Piece Bolt Together

Standard Speed: 60 FPM

Standard Motor: 3/4 HP 230/460/3/60 TEFC

Standard Drive: Top Mount, Right Side

Standard Belt: Black PVC 120 with 3" high cleats on 12" centers, Clipper Lacing

Drive Pulley: 8" Dia Crown Face Rubber Lagged x 1-7/16"

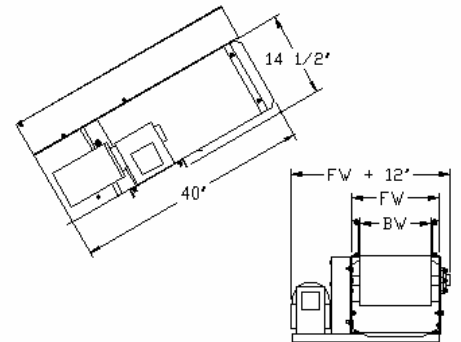
Infeed Pulley: 8" Dia Crown Face Take Up x 1-7/16"

Frame: 13" Deep x 10 Gauge

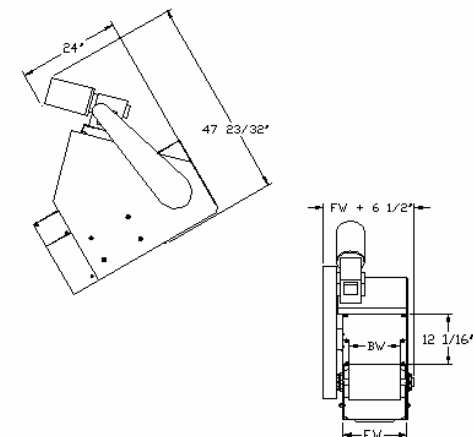
Bearings: Grease Sealed

Others: Base unit includes 6" high Side rails and Bottom Pan

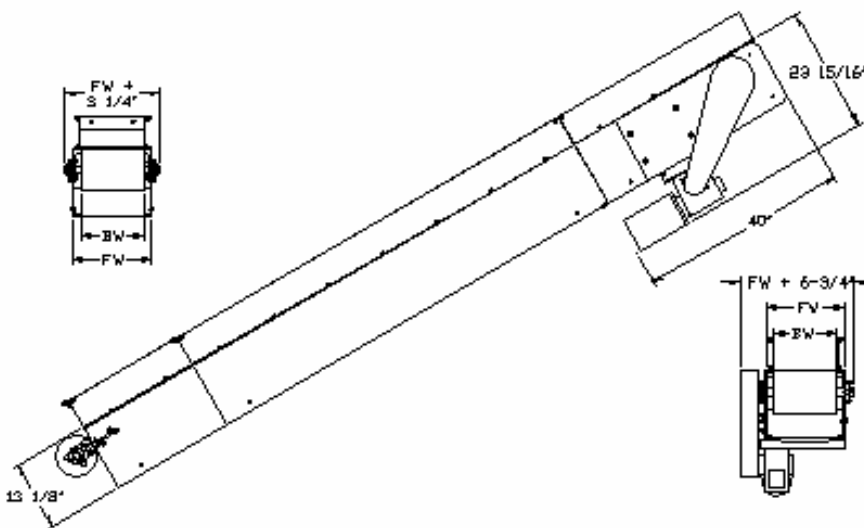
BELT WIDTH:	12"	18"	24"	30"	36"	48"
FRAME WIDTH:	15"	21 1/2"	28"	34"	40"	52"



SIDE MOUNT DRIVE



TOP MOUNT DRIVE



BOTTOM DRIVE