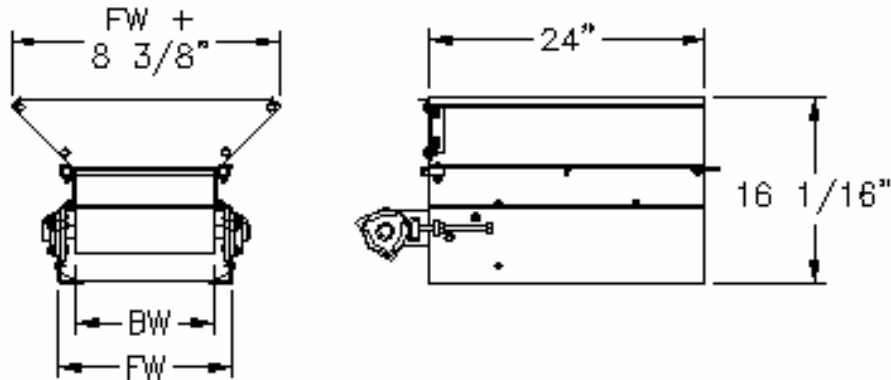


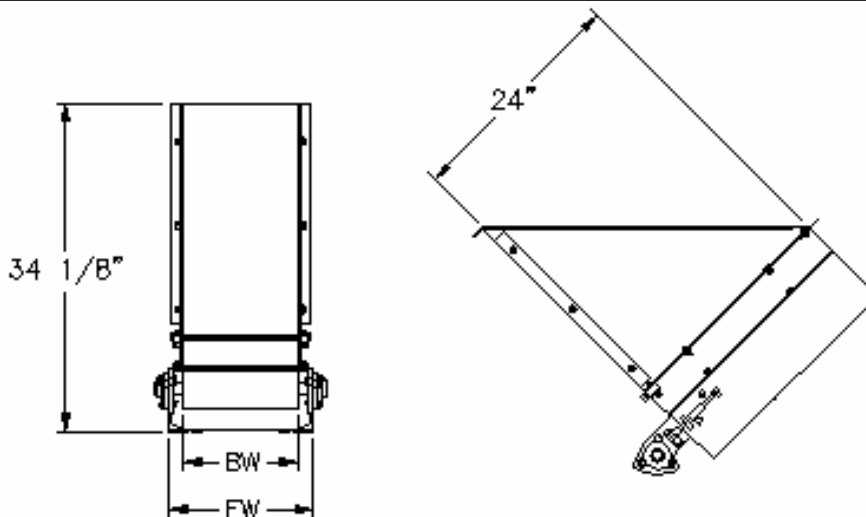
# MODEL 500 OPTIONAL HOPPERS

## STANDARD DUTY CLEATED INCLINE CONVEYORS

This light weight narrow frame parts conveyor provides the flexibility to be used in both horizontal and inclined applications. This unit is an economical choice for narrow, shorter run applications.



FLARED INFEED HOPPER



LARGE INFEED HOPPER

## OPTIONAL HOPPERS

1700 Division Street, New London, WI 54961

Phone: (800) 437-1994

Fax: (920) 982-6800

[www.nleco.com](http://www.nleco.com)