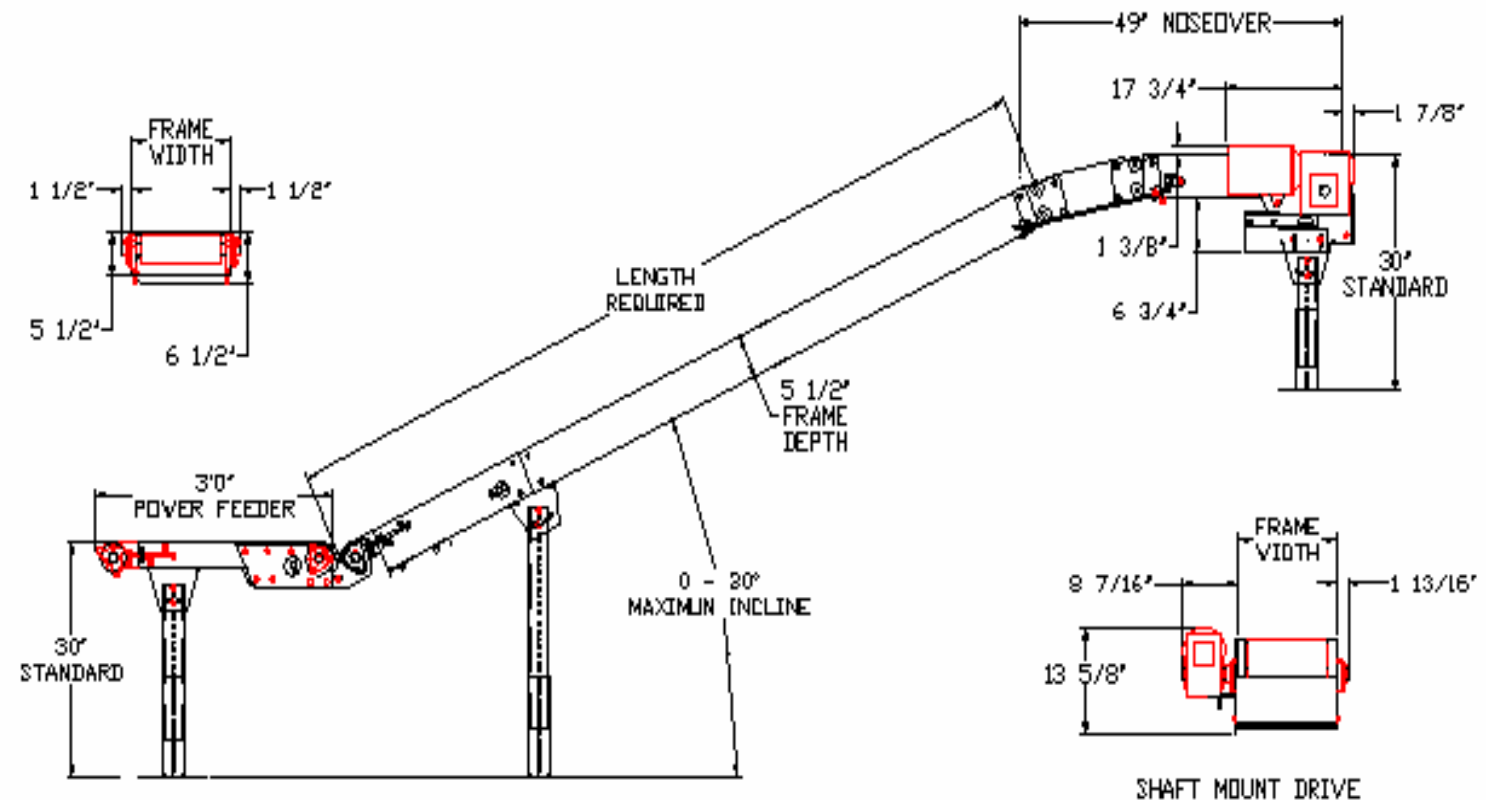


# MODEL 420

## SHAFT MOUNT DRIVE

### HEAVY DUTY FLOOR-TO-FLOOR INCLINED BELT CONVEYOR

A heavy duty inclined conveyor built for moving large and awkward items from floor to floor. It features a sturdy, heavy duty frame and a double nose-over discharge that provides a smooth incline to horizontal transition. Note: The Power Feeder is optional.



## SHAFT MOUNT DRIVE

1700 Division Street, New London, WI 54961

Phone: (800) 437-1994

Fax: (920) 982-6800

[www.nleco.com](http://www.nleco.com)