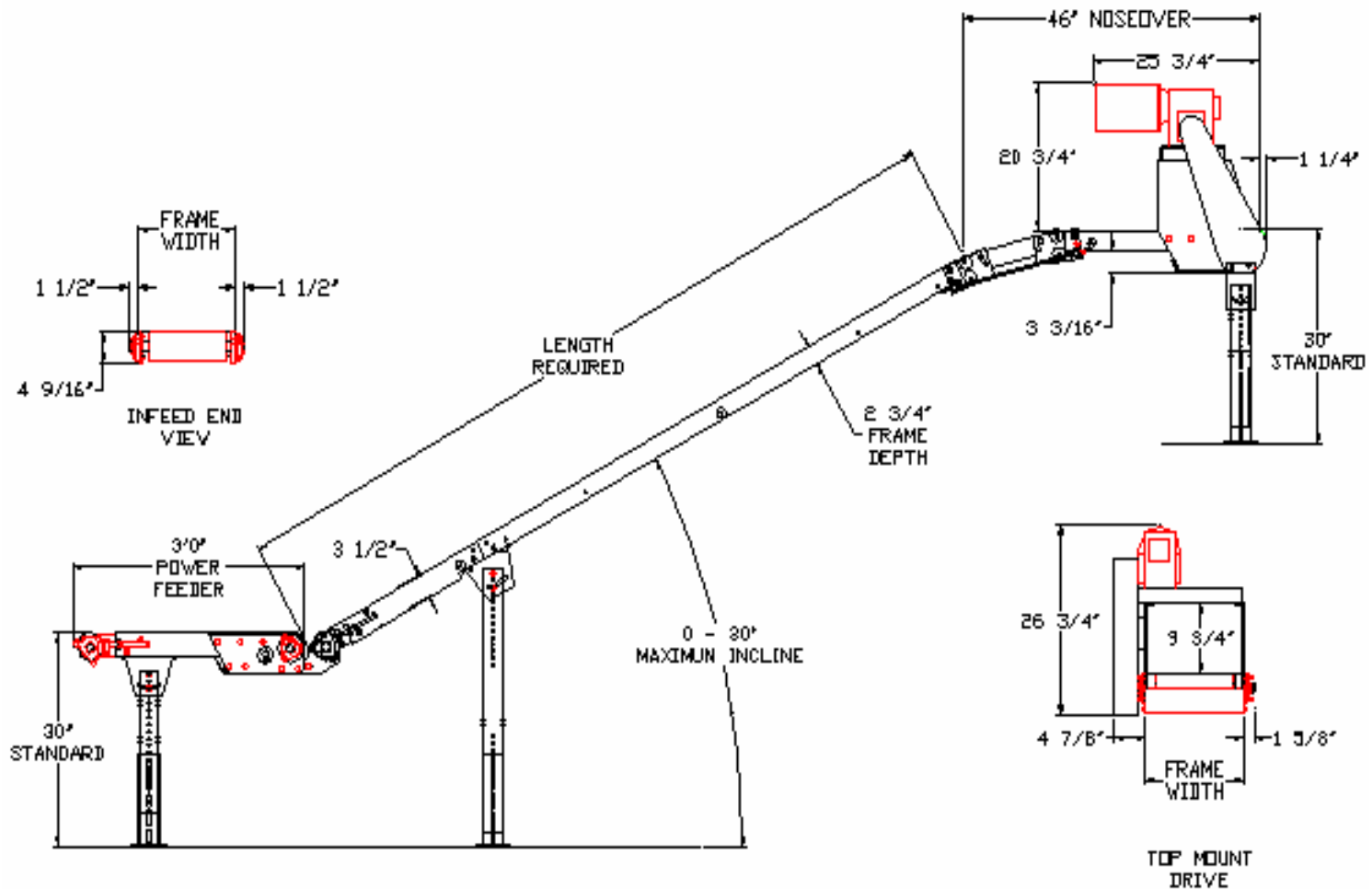


# MODEL 410

## TOP MOUNT DRIVE

### MEDIUM DUTY FLOOR-TO-FLOOR INCLINED BELT CONVEYOR

A medium-duty inclined conveyor built for moving narrower and lighter items up shorter levels. It features a space-saving shallow frame and a double nose-over discharge that provides smooth incline to horizontal transition. Note: The Power Feeder is optional.



## TOP MOUNT DRIVE

1700 Division Street, New London, WI 54961

Phone: (800) 437-1994

Fax: (920) 982-6800

[www.nleco.com](http://www.nleco.com)