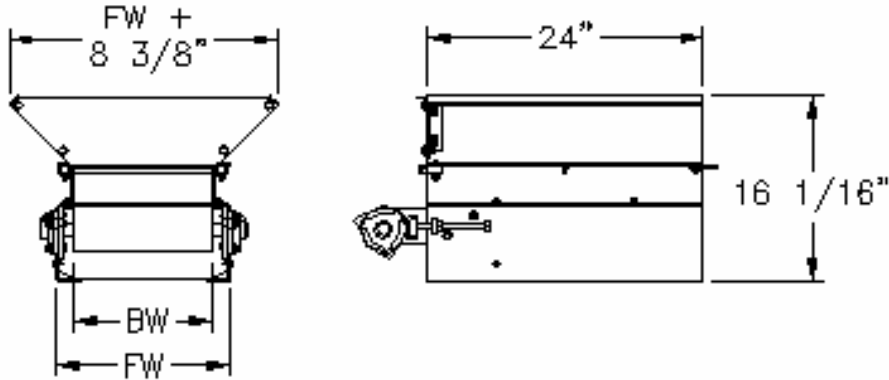


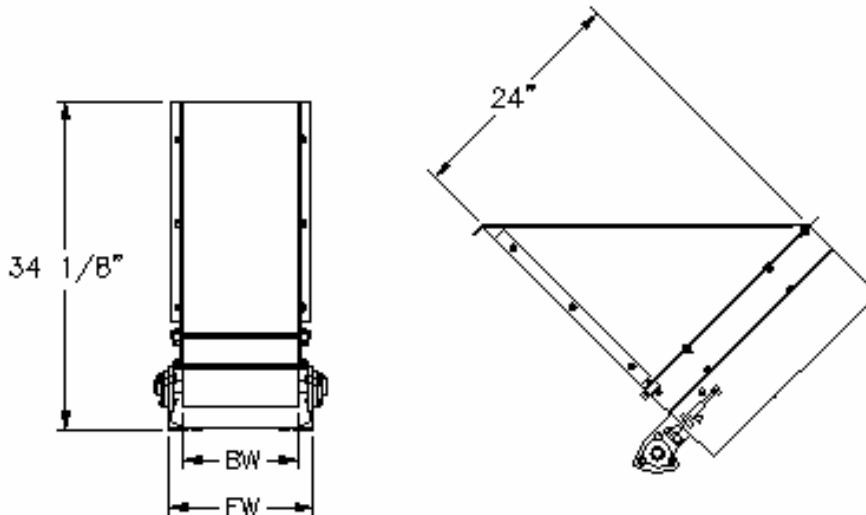
MODEL 351 OPTIONAL HOPPERS

STANDARD DUTY CLEATED INCLINE CONVEYOR

This light weight narrow frame parts conveyor provides the flexibility to be used in both horizontal and inclined applications. This unit is an economical choice for narrow, shorter run applications.



FLARED INFEED HOPPER



LARGE INFEED HOPPER

OPTIONAL HOPPERS

1700 Division Street, New London, WI 54961