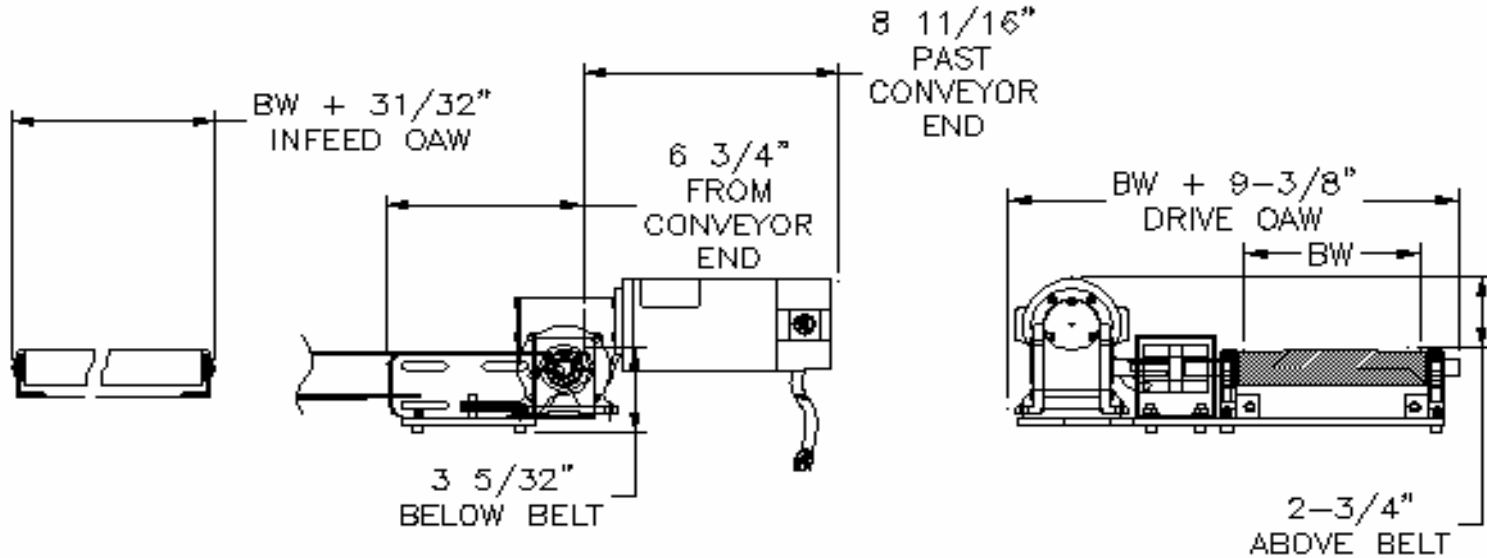


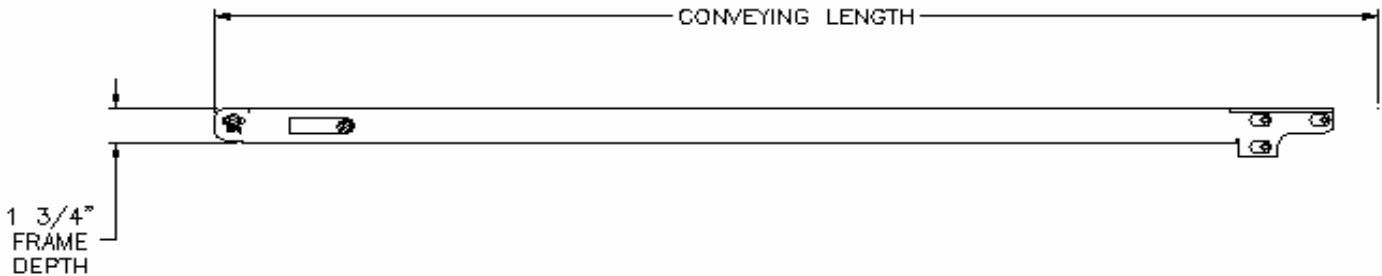
MODEL 250

TOUGHTRAK – HEAVY DUTY LOW PROFILE CONVEYOR

Toughtrak tough and durable conveyors are built to survive the extreme tests of the manufacturing environment. Its low profile, 1.75" frame depth will fit into or under tight spaces. Toughtrak conveyors are built to work harder and last longer than any conveyor in its class.



END DRIVE SHAFT MT RT ANGLE DISCHARGE FACING



End Drive-Shaft Mount-Discharge Facing – Drive #28