

1700 Division Street, New London, WI 54961

Phone: (920) 982-4030; Fax: (920) 982-6800

Website: www.nleco.com

This heavy duty, deep frame slider bed built for low maintenance and extended use in virtually any manufacturing environment. This sturdy, solid conveyor is designed for longer, wider and heavier weight slider bed applications.

Widths: Up to 48"

Standard Belt: Black PVC 120, Clipper Lacing

Lengths: 5' - 100' (6" Increments)

Drive Pulley: 8" Dia Crown Face Rubber Lagged x 1-7/16"

Standard Length is 5', Two Piece Bolt Together

Infeed Pulley: 4" Dia Crown Face Take Up x 1-3/16"

Standard Speed: 60 FPM

Frame: 5 1/2" Deep x 12 Gauge

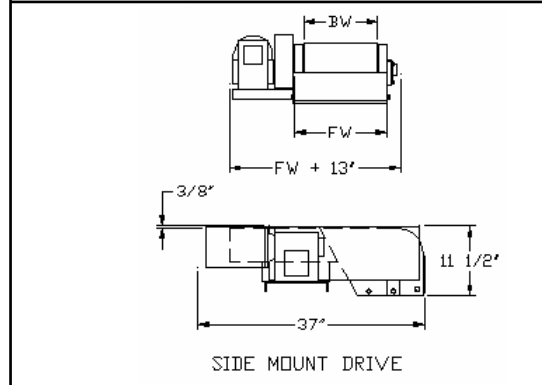
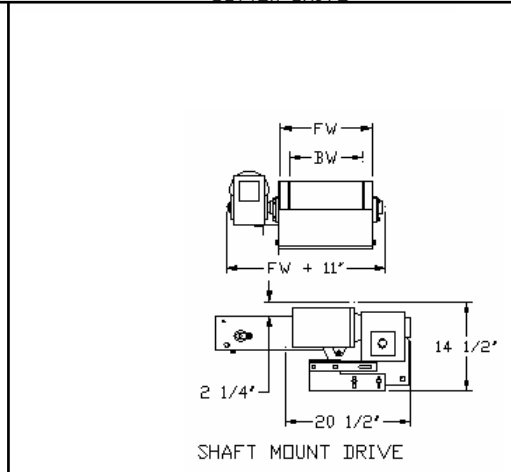
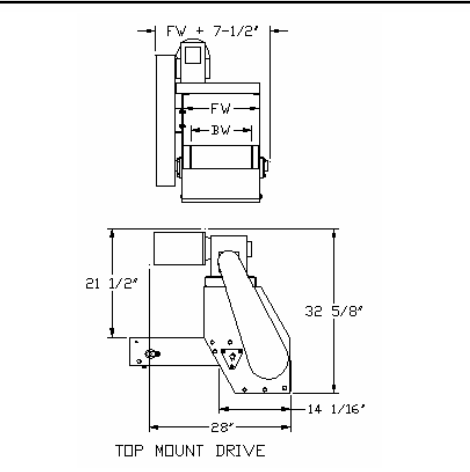
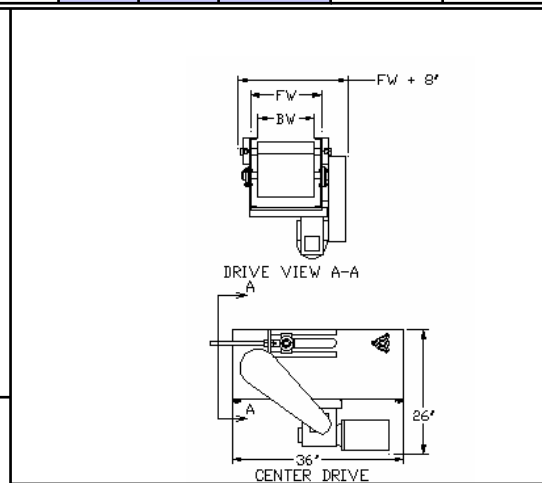
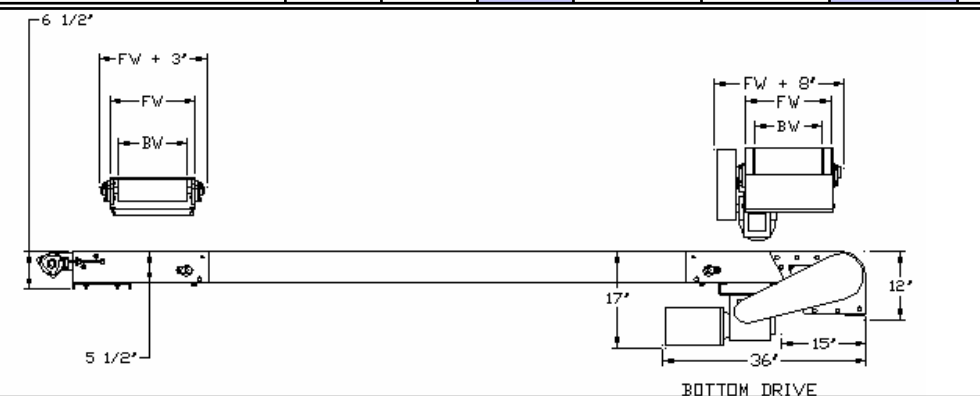
Standard Motor: 1/2 HP 230/460/3/60 TEFC

Standard Supports: 30" Elevation Top of Belt

Standard Drive: Bottom Mount, Right Side

UpTime Express – 24 hour shipments widths are hi-lighted in Blue

BELT WIDTH:	8"	10"	12"	14"	16"	18"	20"	24"	30"	36"	42"	48"
FRAME WIDTH:	11"	15"	15"	21 1/2"	21 1/2"	21 1/2"	28"	28"	34"	40"	46"	52"



Other Models within the Model 220 Family

Model 221 – Heavy Duty Drive and Infeed Shaft Model 220