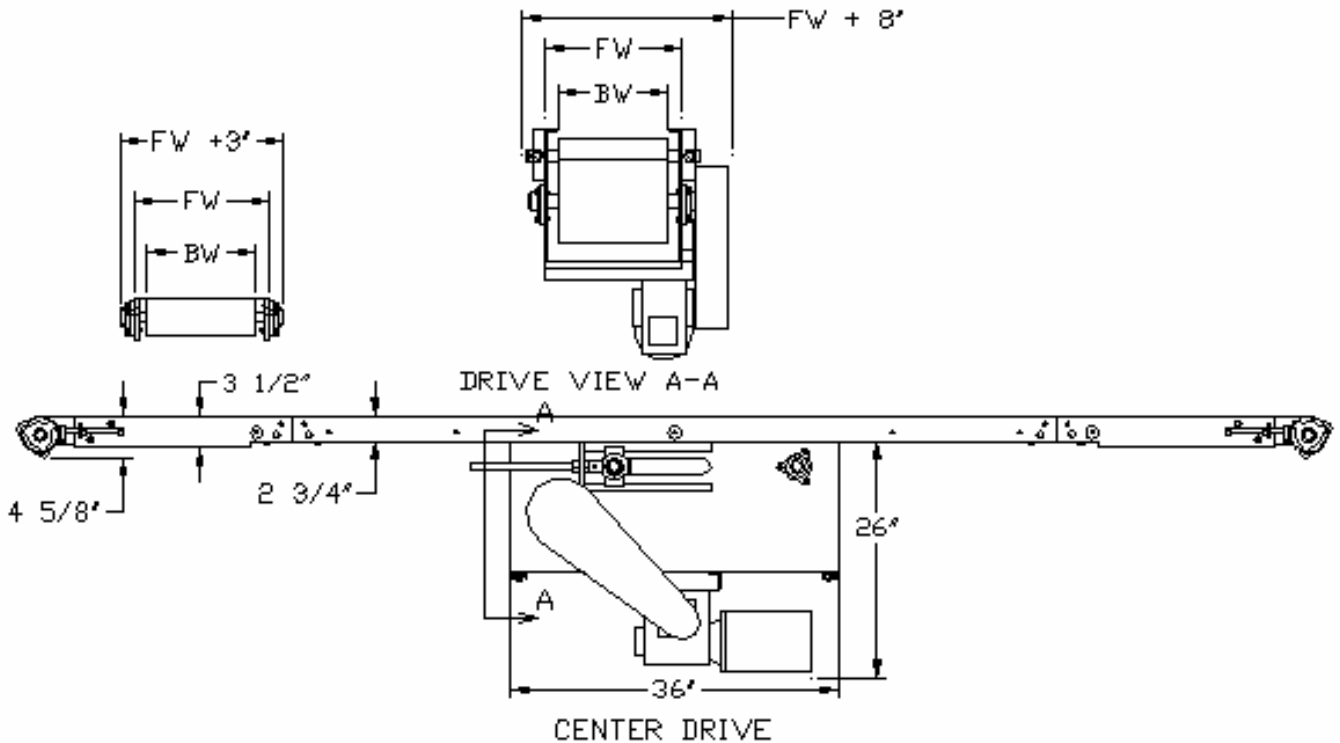


MODEL 210

CENTER DRIVE

MEDIUM DUTY SLIDER BED

This shallow frame, large drive pulley (8" Diameter) conveyor is versatile enough to get into tight spaces and durable enough for applications up to 36" wide and 100' long. It is built for low maintenance operation in medium duty production, assembly and packaging operations.



CENTER DRIVE

1700 Division Street, New London, WI 54961

Phone: (800) 437-1994

Fax: (920) 982-6800

www.nleco.com