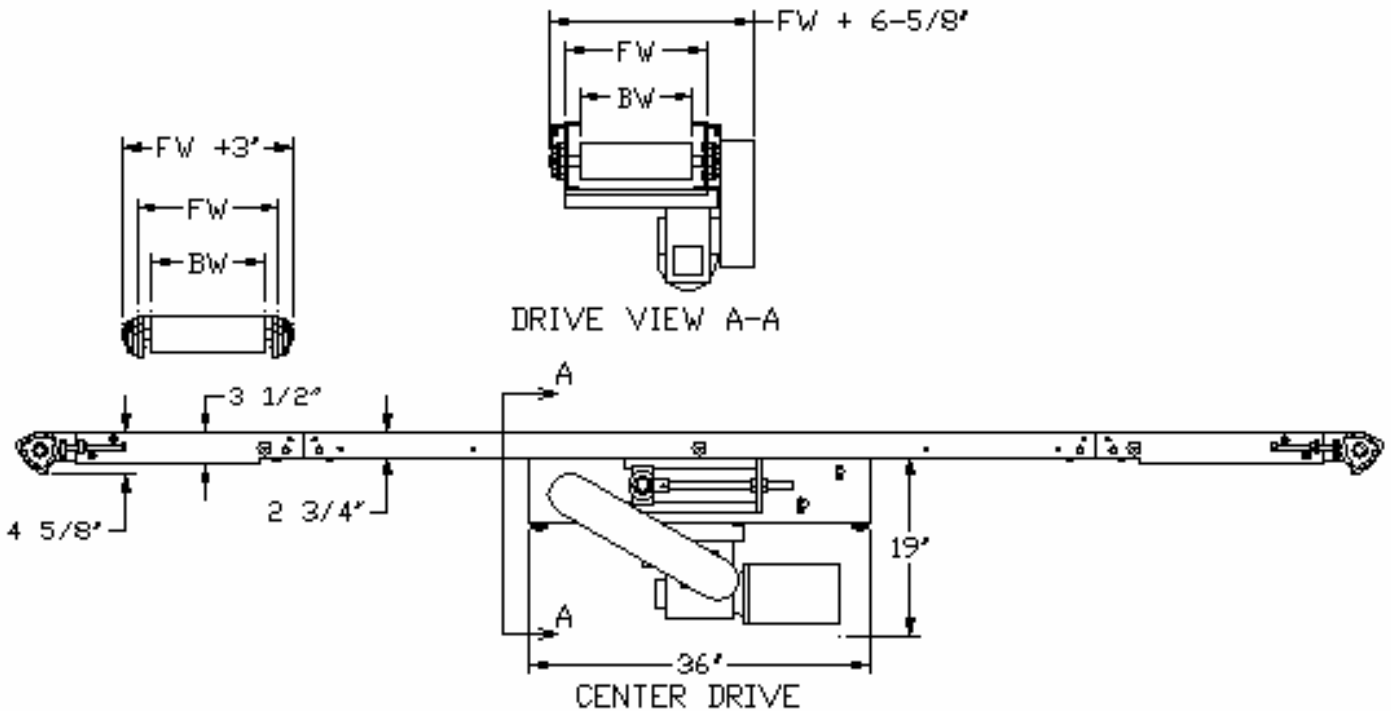


# MODEL 200

## CENTER DRIVE

### STANDARD DUTY SLIDER BED

This is an economical shallow frame conveyor. The shallow frame will fit into tight spaces other slider beds can't. It's built for low maintenance operation in shorter and narrower light duty production and packaging operations.



## CENTER DRIVE

1700 Division Street, New London, WI 54961

Phone: (800) 437-1994

Fax: (920) 982-6800

www.nleco.com