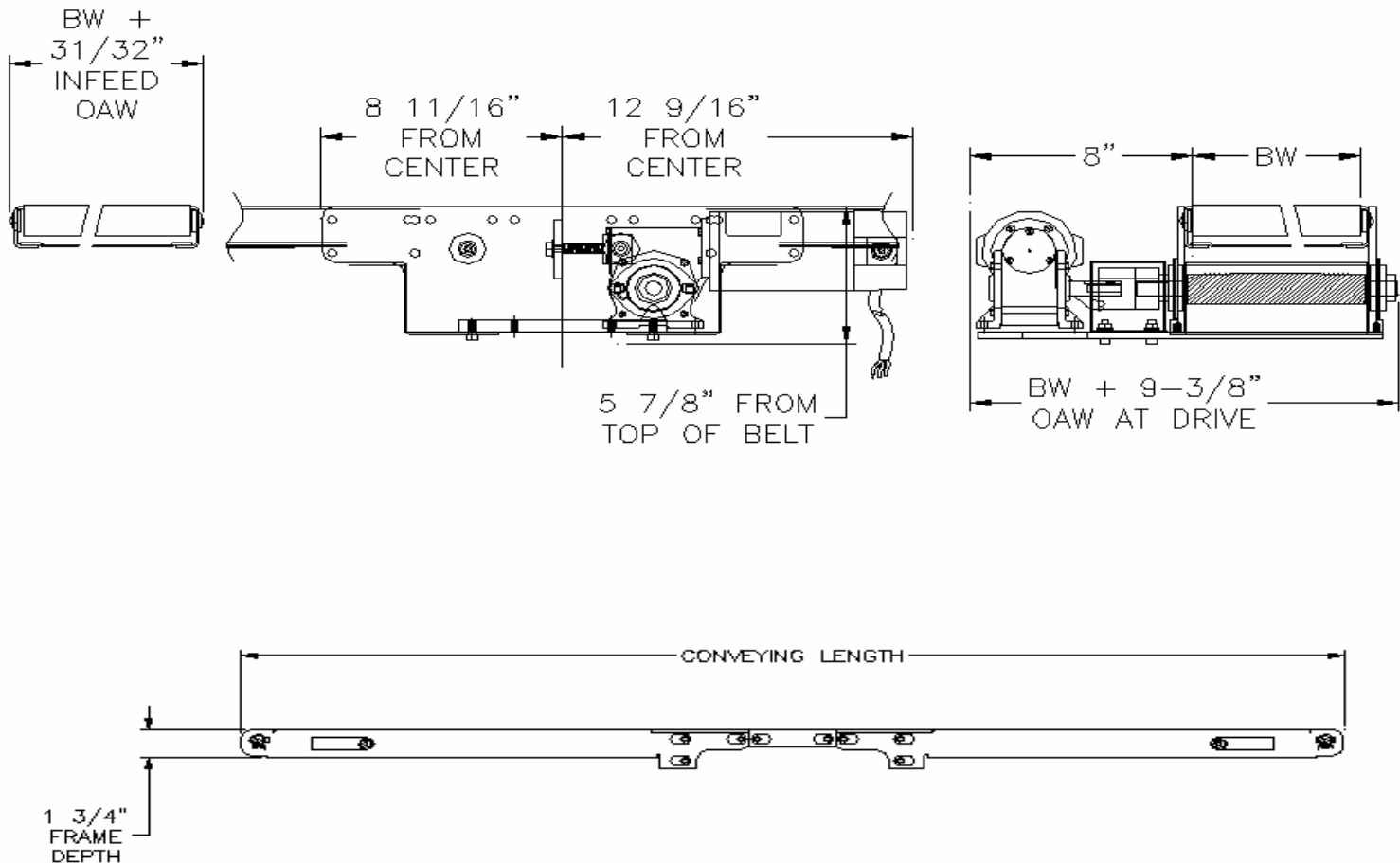


MODEL 150

TOUGHTRAK – STANDARD DUTY LOW PROFILE CONVEYOR

Toughtrak tough and durable conveyors are built to survive the extreme tests of the manufacturing environment. Its low profile, 1.75" frame depth will fit into or under tight spaces. Toughtrak conveyors are built to work harder and last longer than any conveyor in its class.



Center Drive-Shaft Mount-Discharge Facing – Drive #5